

Features

- 500W peak pulse power (8/20µs)
- Ultra low leakage: nA level
- Operating voltage: 5V
- Low capacitance for high-speed data line
- Low clamping voltage
- Complies with following standards:
 - IEC 61000-4-2 (ESD) immunity test
Air discharge: ±30kV
Contact discharge: ±30kV
 - IEC61000-4-4 (EFT) 40A (5/50ns)
 - IEC61000-4-5 (Lightning) 25A (8/20µs)
- RoHS Compliant

Applications

- Video Line Protection
- Wireless Systems
- Ethernet 10BaseT
- I2C Bus Protection
- Portable Instrumentation
- LAN/WAN equipment
- High-Speed Data Lines
- Multi-Protocol Serial Transceivers
- ISDN S/T Interface

Mechanical Characteristics

- Package: SOT-143
- Lead Finish: Matte Tin
- Case Material: "Green" Molding Compound.
- UL Flammability Classification Rating 94V-0
- Moisture Sensitivity: Level 3 per J-STD-020
- Terminal Connections: See Diagram

Part Number Code

E	S	D	0	5	1	1	L	1
1	2	3	4	5	6	7	8	9

Product Type	
ESD	TSK Electrostatic suppressor ESD Type

Reverse Working Voltage (V)	
3V3	3.3V
05	5V
16	16V

Line	
1	1-Line
2	2-Line
3	3-Line

Capacitance Type	
L	Low
X	Normal

directional	
0	Bi
1	Uni

Size	
1	0201
2	0402
3	DFN0603
4	DFN1006

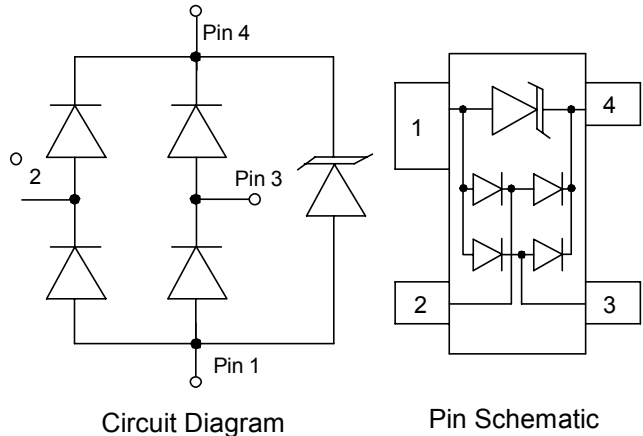
★ Code 4 to 9 is optional

Description

The ESD0521LJ is a low capacitance TVS diode array, utilizing leading monolithic silicon technology to provide fast response time and low ESD clamping voltage, making this device an ideal solution for protecting sensitive semiconductor components from damage. The ESD0521LJ complies with the IEC 61000-4-2 (ESD) standard with ±15kV air and ±8kV contact discharge. It is assembled into a lead-free SOT-143 package. It is designed to protect components which are connected to high speed interfaces and transmission lines from voltage surges.



Dimensions and Pin Configuration



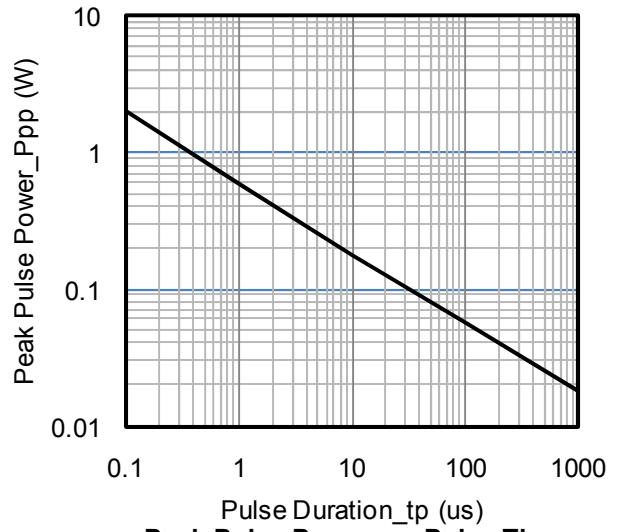
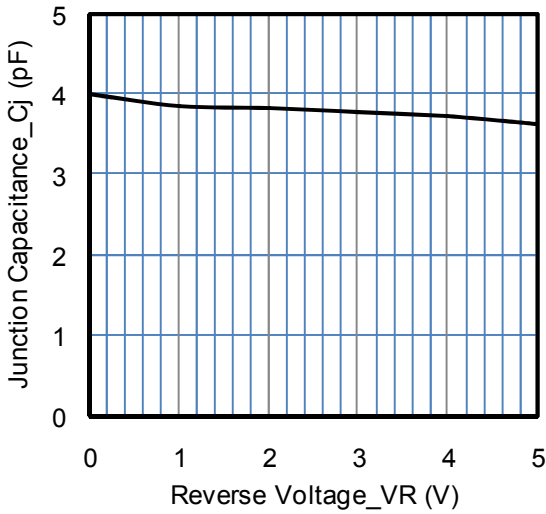
Absolute Maximum Ratings ($T_A=25^{\circ}\text{C}$ unless otherwise specified)

Parameter	Symbol	Value	Unit
Peak Pulse Power (8/20 μs)	Ppk	500	W
Peak Pulse Current (8/20 μs)	I _{PP}	25	A
ESD per IEC 61000-4-2 (Air)	V _{ESD}	± 30	kV
ESD per IEC 61000-4-2 (Contact)		± 30	
Operating Temperature Range	T _J	-55 to +125	$^{\circ}\text{C}$
Storage Temperature Range	T _{stg}	-55 to +150	$^{\circ}\text{C}$

Electrical Characteristics ($T_A=25^{\circ}\text{C}$ unless otherwise specified)

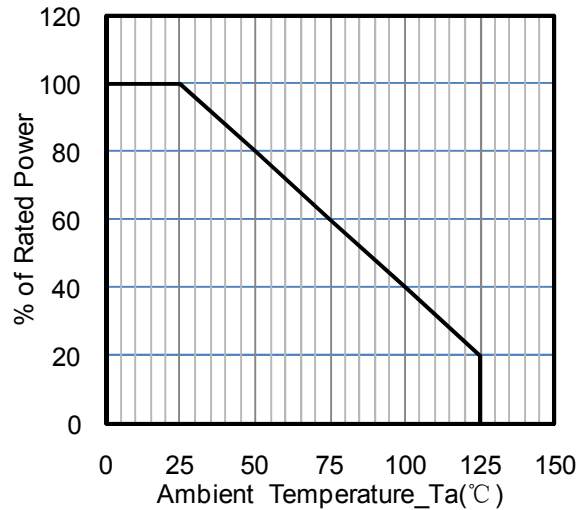
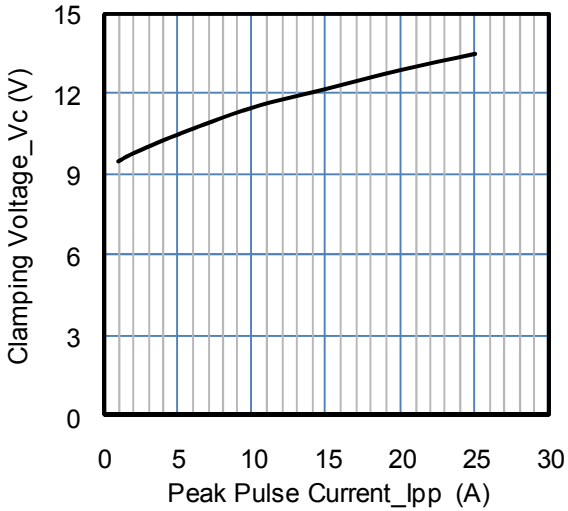
Parameter	Symbol	Min	Typ	Max	Unit	Test Condition
Reverse Working Voltage	V _{RWM}			5	V	
Breakdown Voltage	V _{BR}	6			V	I _T = 1mA
Reverse Leakage Current	I _R			0.5	μA	V _{RWM} = 5V
Clamping Voltage	V _C			9	V	I _{PP} = 1A (8 x 20 μs pulse)
Clamping Voltage	V _C			20	V	I _{PP} = 25A (8 x 20 μs pulse)
Junction Capacitance	C _J			6	pF	V _R = 0V, f = 1MHz, between I/O pins and GND
Junction Capacitance	C _J		3		pF	V _R = 0V, f = 1MHz, between I/O pins

Typical Performance Characteristics (TA=25°C unless otherwise Specified)



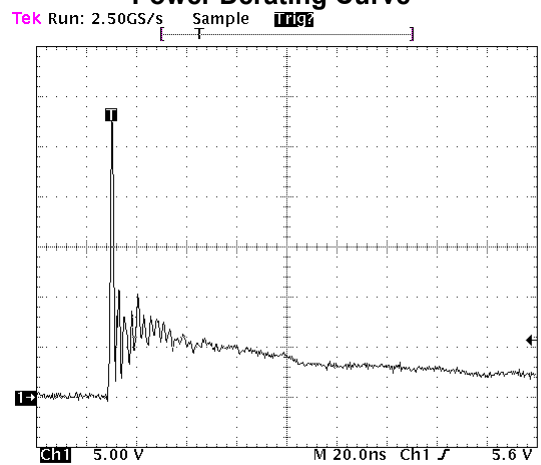
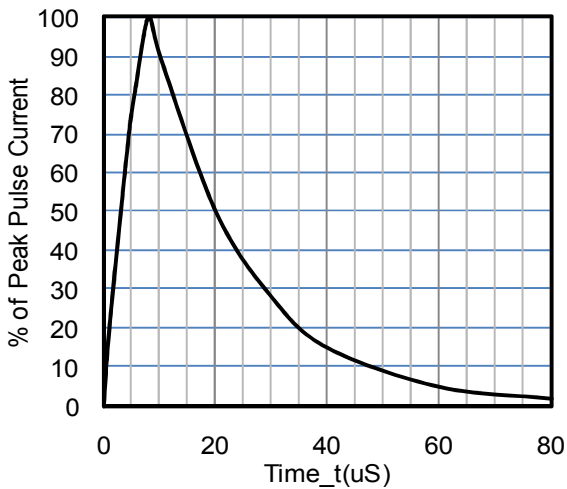
Junction Capacitance vs. Reverse Voltage

Peak Pulse Power vs. Pulse Time



Clamping Voltage vs. Peak Pulse Current

Power Derating Curve

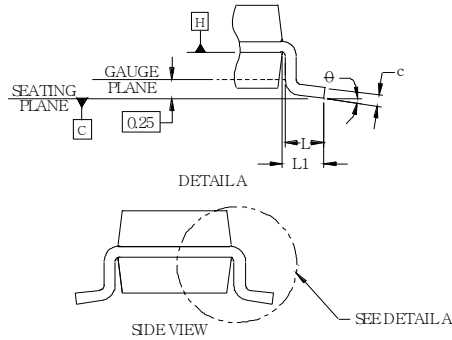
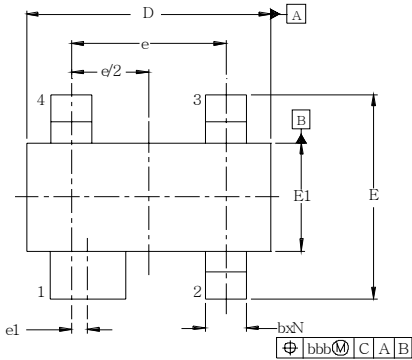


8 X 20uS Pulse Waveform

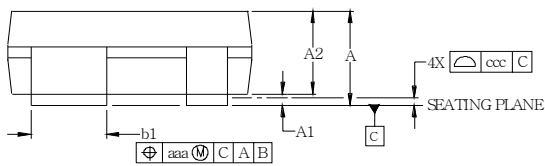
ESD Clamping Voltage

8 kV Contact per IEC61000-4-2

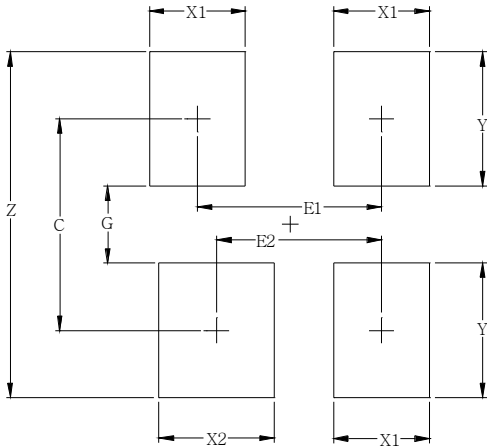
SOT-143 Package Outline Drawing



DIM	INCHES		MILLIMETERS	
	MIN	NOM	MIN	NOM
A	.031	-.048	0.80	1.22
A1	.00	-.016	0.013	-.415
A2	.029	.035	.042	.075
b	.011	-.020	0.30	-.51
b1	.029	-.037	0.76	-.94
c	.08	-.008	0.08	-.20
D	.110	.114	.120	2.80
E	.082	.093	.104	2.10
E1	.047	.051	.055	1.20
e	1.92 BSC			
e1	.08			
L1	.015	.020	.024	0.40
L1	(0.54)			
N	4			
θ	0°	8°	0°	8°
aaa	.015			
bbb	.020			
ccc	0.10			



Suggested Land Pattern



SYM	DIMENSIONS	
	MILLIMETERS	INCHES
C	2.20	0.087
E1	1.92	0.076
E2	1.72	0.068
G	0.80	0.031
X1	1.00	0.039
X2	1.20	0.047
Y	1.40	0.055
Z	3.60	0.141

Ordering Information

Part Number	Packaging	Reel Size
ESD0521LJ	3000/Tape & Reel	7 inch