

Features

- Ultra low leakage: nA level
- Ultra low operating voltage: 3.3V
- Ultra low clamping voltage
- Complies with following standards:
  - IEC 61000-4-2 (ESD) immunity test  
Air discharge: ±25kV  
Contact discharge: ±15kV
  - IEC61000-4-4 (EFT) 40A (5/50ns)
  - IEC61000-4-5 (Lightning) 25A (8/20µs)
- RoHS Compliant

Description

The ESD3V341LB is a 3.3V uni-directional TVS diode array, utilizing leading monolithic silicon technology to provide fast response time and ultra low ESD clamping voltage, making this device an ideal solution for protecting voltage sensitive data and power line. The ESD3V341LB complies with the IEC 61000-4-2 (ESD) standard with ±15kV air and ±8kV contact discharge. It is assembled into 2.6x2.6x0.55mm DFN lead-free package. The small size and high ESD surge protection make ESD3V341LB an ideal choice to protect Gigabit Ethernet, telecommunication lines, and digital video.

Mechanical Characteristics

- Package: DFN2626-10
- Lead Finish: NiPdAu
- Case Material: “Green” Molding Compound.
- UL Flammability Classification Rating 94V-0
- Moisture Sensitivity: Level 3 per J-STD-020
- Terminal Connections: See Diagram

Applications

- Analog Video
- RJ-45 Connectors
- T1/E1 Secondary Protection
- T3/E3 Secondary Protection
- 10/100/1000 Ethernet

Part Number Code

<b>E</b>	<b>S</b>	<b>D</b>	<b>0</b>	<b>5</b>	<b>1</b>	<b>1</b>	<b>L</b>	<b>1</b>
<b>1</b>	<b>2</b>	<b>3</b>	<b>4</b>	<b>5</b>	<b>6</b>	<b>7</b>	<b>8</b>	<b>9</b>

Product Type	
ESD	TSK Electrostatic suppressor ESD Type

Reverse Working Voltage (V)	
3V3	3.3V
05	5V
16	16V

Line	
1	1-Line
2	2-Line
3	3-Line

Capacitance Type	
L	Low
X	Normal

directional	
0	Bi
1	Uni

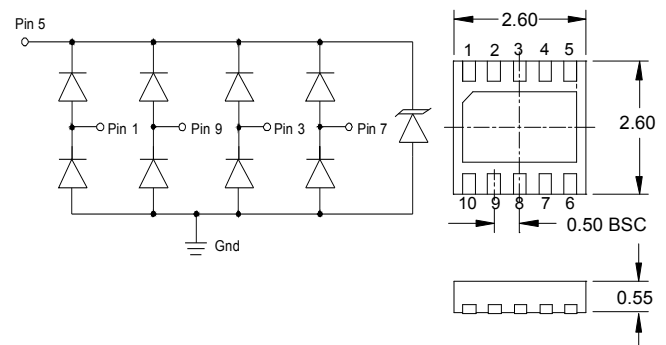
  

Size	
1	0201
2	0402
3	DFN0603
4	DFN1006

★ Code 4 to 9 is optional



Dimensions and Pin Configuration



Circuit and Pin Schematic

Package Dimensions

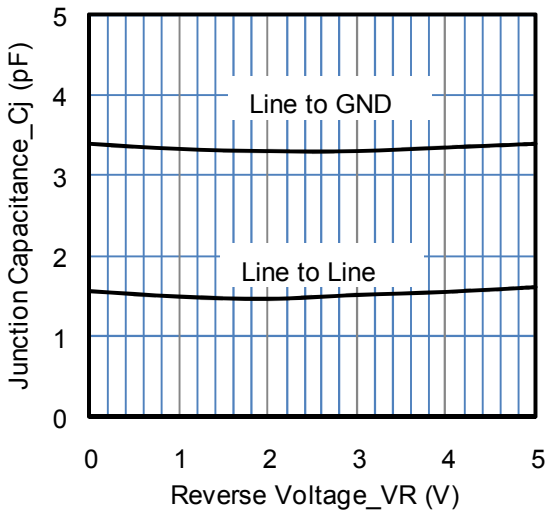
**Absolute Maximum Ratings ( $T_A=25^{\circ}\text{C}$  unless otherwise specified)**

Parameter	Symbol	Value	Unit
Peak Pulse Power (8/20 $\mu\text{s}$ )	Ppk	450	W
Peak Pulse Current (8/20 $\mu\text{s}$ )	Ipp	25	A
ESD per IEC 61000-4-2 (Air) ESD per IEC 61000-4-2 (Contact)	VESD	$\pm 25$ $\pm 15$	kV
Operating Temperature Range	TJ	-55 to +125	$^{\circ}\text{C}$
Storage Temperature Range	Tstg	-55 to +150	$^{\circ}\text{C}$

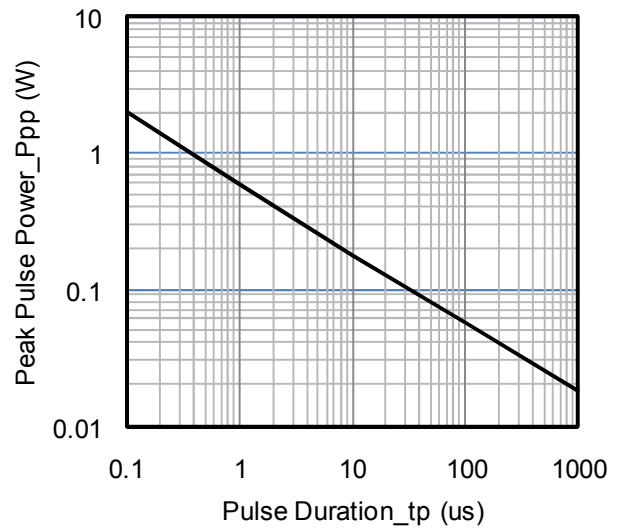
**Electrical Characteristics ( $T_A=25^{\circ}\text{C}$  unless otherwise specified)**

Parameter	Symbol	Min	Typ	Max	Unit	Test Condition
Reverse Working Voltage	VRWM			3.3	V	
Punch-Through Voltage	VPT	3.5			V	IPT = 5 $\mu\text{A}$
Snap-Back Voltage	VSB	2.8			V	ISB = 50mA
Reverse Leakage Current	IR			0.5	$\mu\text{A}$	VRWM = 3.3V
Clamping Voltage	VC			5.5	V	I <sub>PP</sub> = 1A (8 x 20 $\mu\text{s}$ pulse), any I/O to GND
Clamping Voltage	VC			10.5	V	I <sub>PP</sub> = 10A (8 x 20 $\mu\text{s}$ pulse), any I/O to GND
Clamping Voltage	VC			20	V	I <sub>PP</sub> = 25A (8 x 20 $\mu\text{s}$ pulse), any I/O to GND
Junction Capacitance	CJ		2.0		pF	VR = 0V, f = 1MHz, between I/O pins
Junction Capacitance	CJ		3.8	5.0	pF	VR = 0V, f = 1MHz, any I/O to GND

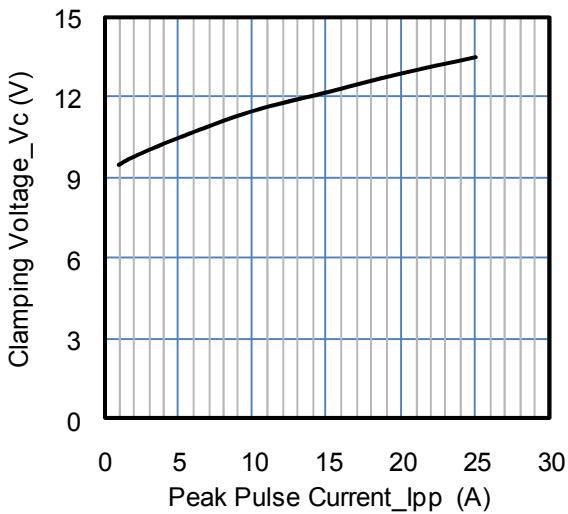
Typical Performance Characteristics (TA=25°C unless otherwise Specified)



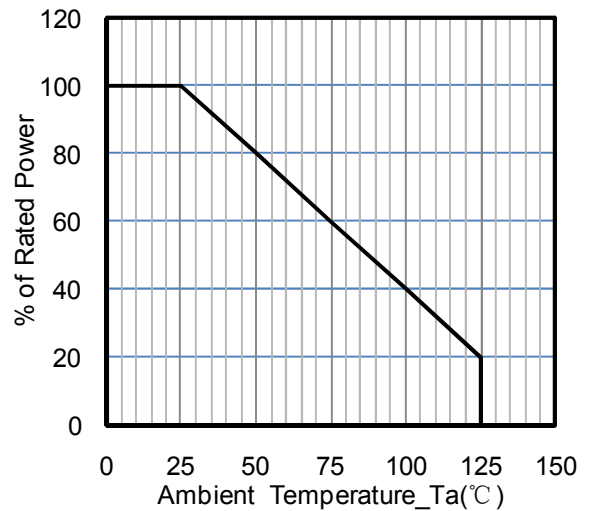
Junction Capacitance vs. Reverse Voltage



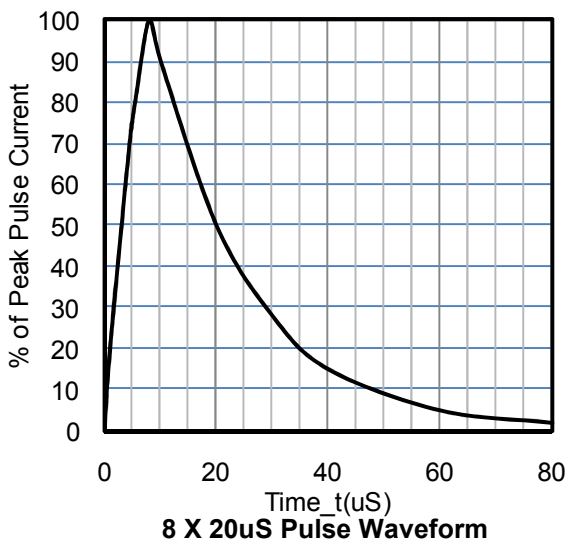
Peak Pulse Power vs. Pulse Time



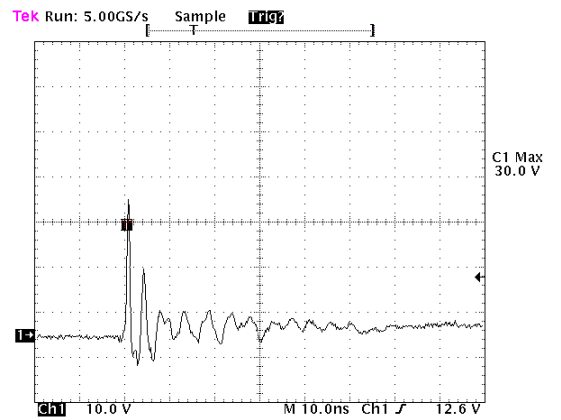
Clamping Voltage vs. Peak Pulse Current



Power Derating Curve



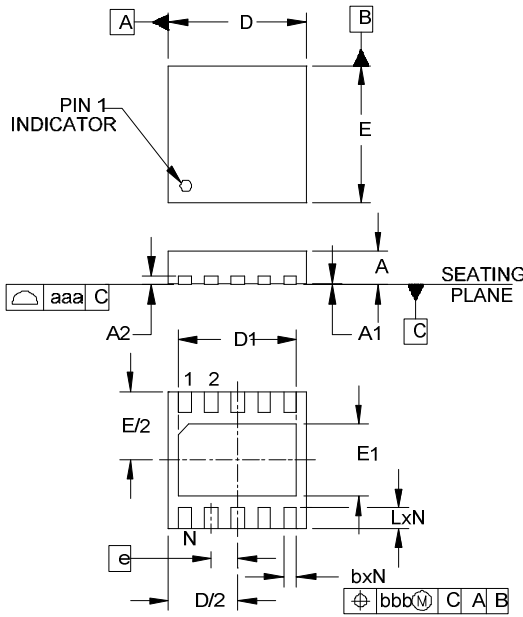
8 X 20uS Pulse Waveform



ESD Clamping Voltage

8 kV Contact per IEC61000-4-2

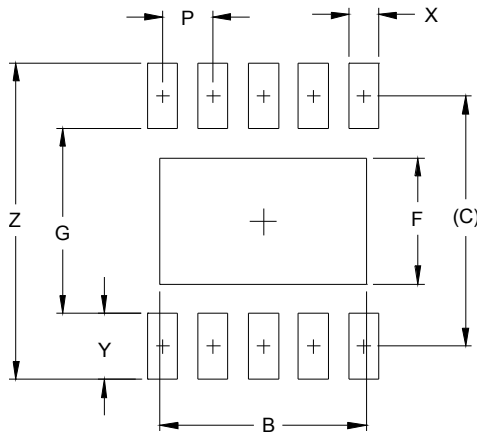
DFN2626-10 Package Outline Drawing



DIM	DIMENSIONS					
	INCHES			MILLIMETERS		
	MIN	NOM	MAX	MIN	NOM	MAX
A	.020	.022	.024	0.50	0.55	0.60
A1	.000	.001	.002	0.00	0.03	0.05
A2	(0.007)			(0.17)		
b	.007	.010	.012	0.20	0.25	0.30
D	.098	.102	.106	2.50	2.60	2.70
D1	.079	.085	.089	2.00	2.15	2.25
E	.098	.102	.106	2.50	2.60	2.70
E1	.044	.050	.054	1.11	1.26	1.36
e	.020 BSC			0.50 BSC		
L	.011	.014	.016	0.30	0.35	0.40
N	10			10		
aaa	.003			0.08		
bbb	.004			0.10		

- NOTES:
1. CONTROLLING DIMENSIONS ARE IN MILLIMETERS (ANGLES IN DEGREES).
  2. COPLANARITY APPLIES TO THE EXPOSED PAD AS WELL AS THE TERMINALS.

Suggested Land Pattern



DIM	DIMENSIONS	
	INCHES	MILLIMETERS
B	.081	2.05
C	.100	2.50
F	.050	1.26
G	.073	1.85
P	.020	0.50
X	.012	0.30
Y	.025	0.65
Z	.124	3.15

- NOTES:
1. THIS LAND PATTERN IS FOR REFERENCE PURPOSES ONLY. CONSULT YOUR MANUFACTURING GROUP TO ENSURE YOUR COMPANY'S MANUFACTURING GUIDELINES ARE MET.

Ordering Information

Part Number	Packaging	Reel Size
ESD3V341LB	3000/Tape & Reel	7 inch