

**Voltage Range 20 to 40 V**  
**Current 1.0 Ampere**

**Features**

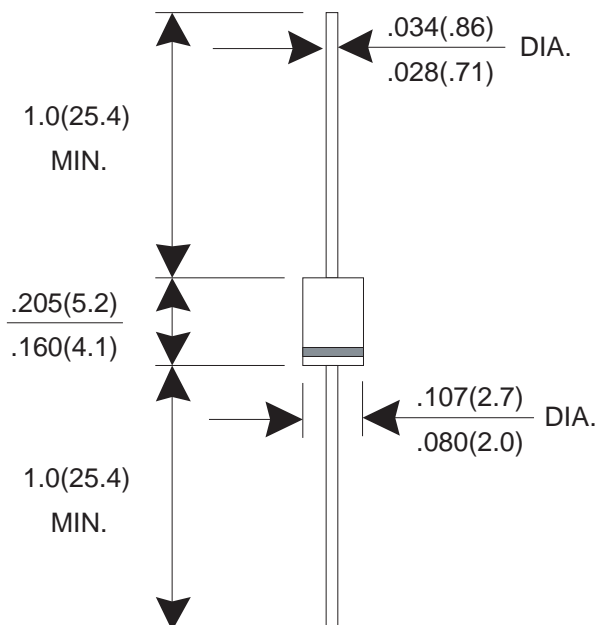
- \* Low forward voltage drop
- \* High current capability
- \* High reliability
- \* High surge current capability

**Mechanical Data**

- \* Case: Molded plastic DO-41
- \* Epoxy: UL 94V-0 rate flame retardant
- \* Terminals: Solderable per MIL-STD-202 method 208
- \* Polarity: Color band denotes cathode end
- \* Mounting position: Any
- \* Weight: 0.34 gram

**Dimensions in inches and (millimeters)**

**DO-41**



Dimensions in inches and (millimeters)

## MAXIMUM RATINGS AND ELECTRICAL CHARACTERISTICS

Rating at 25°C ambient temperature unless otherwise specified.  
 Single phase, half wave, 60Hz, resistive or inductive load.  
 For capacitive load, derate current by 20%.

PARAMTER	SYBMOL	T1N5817	T1N5818	T1N5819	UNIT
Maximum Recurrent Peak Reverse Voltage	VRRM	20	30	40	V
Maximum RMS Voltage	VRMS	14	21	28	V
Maximum DC Blocking Voltage	VDC	20	30	40	V
Maximum Average Forward Rectified Current TL=90°C	IF(AV)	1.0			A
Peak Forward Surge Current, 8.3ms single Half sine-wave superimposed on rated load (JEDEC Method)	IFSM	30			A
Maximum Instantaneous Forward Voltage @ 1.0 A	VF	0.45	0.55	0.60	V
Maximum DC Reverse Current @TJ=25°C At Rated DC Blocking Voltage @TJ=100°C	IR	0.5 10.0			mA
Typical junction Capacitance (Note 1)	CJ	110			pF
Operating Junction and Storage Temperature Range	TJ, TSTG	-55 to +125 / -55 to +150			°C

NOTES : (1) Measured at 1.0 MHz and applied reverse voltage of 4.0 Volts DC.

RATING AND CHARACTERISTIC CURVES

FIG.1 - FORWARD CURRENT DERATING CURVE

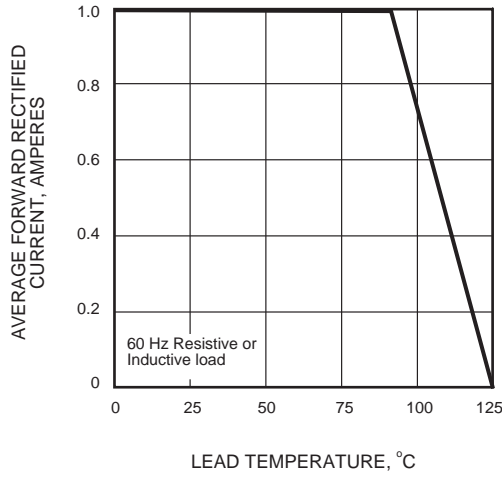


FIG.2 - MAXIMUM NON-REPETITIVE PEAK FORWARD SURGE CURRENT

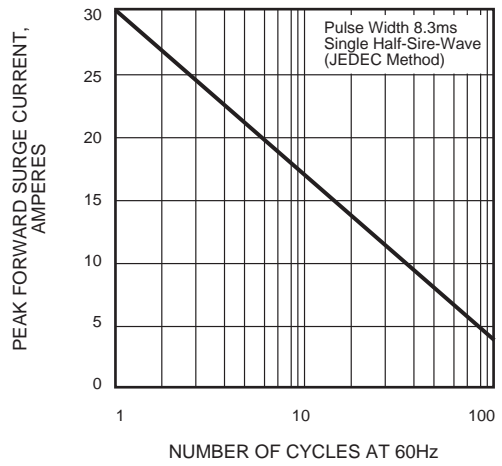


FIG.3 - TYPICAL INSTANTANEOUS FORWARD CHARACTERISTICS

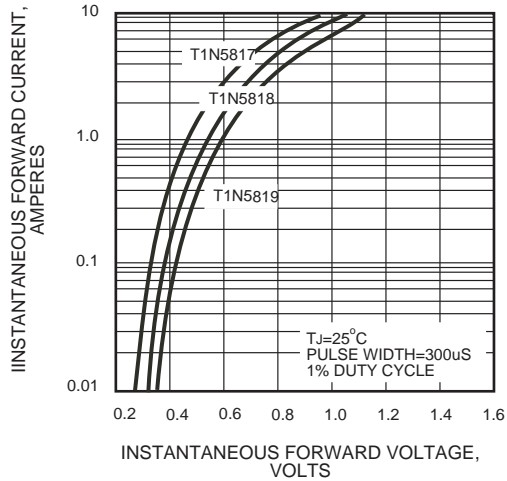


FIG.4 - TYPICAL REVERSE CHARACTERISTICS

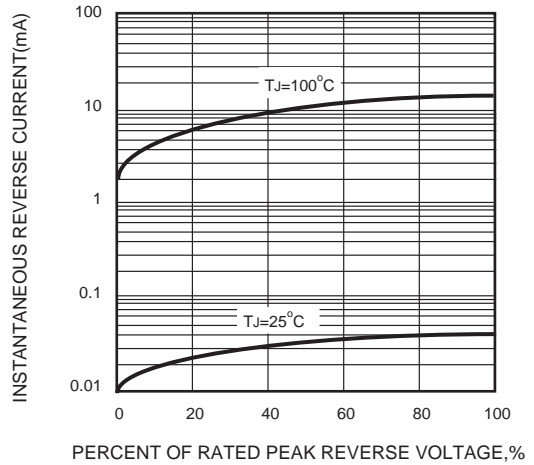


FIG.5 - TYPICAL JUNCTION CAPACITANCE

