

V_Z: 2.7 to 330 V

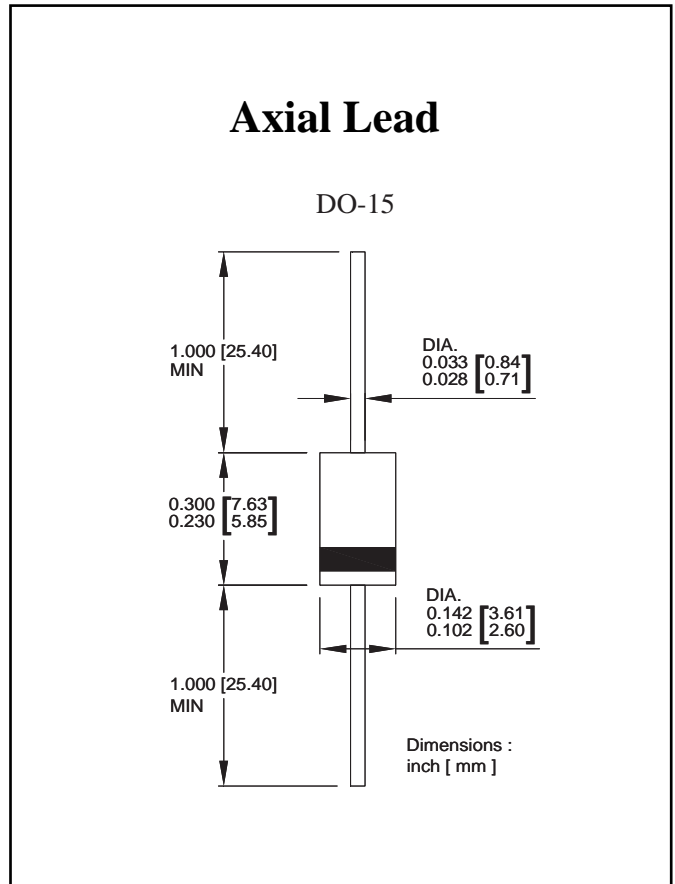
P_D: 2 W

Features

- Glass passivated chip
- Low leakage
- Built-in strain relief
- Low inductance
- High peak reverse power dissipation
- For use in stabilizing and clipping with high power rating
- RoHS compliant

Mechanical Data

- Case: Molded plastic
- Epoxy: UL 94V-0 rate flame retardant
- Lead: Solderable per MIL-STD-202, method 208 guranteed
- Polarity: Color band denotes cathode end
- Mounting position: Any



Maximum Ratings (T_A=25°C unless otherwise noted)

Parameter	Symbol	Value	UNIT
DC power dissipation at T _L = 50 °C ⁽¹⁾	P _D	2	W
Maximum forward voltage at I _F = 200 mA	V _F	1.5	V
Junction temperature range	T _J	- 55 to + 150	°C
Storage temperature range	T _{STG}	- 55 to + 150	°C

Note:

(1) T_L = Lead temperature at 3/8 " (9.5mm) from body

Ratings and Characteristics Curves ($T_A=25^\circ\text{C}$ unless otherwise noted)

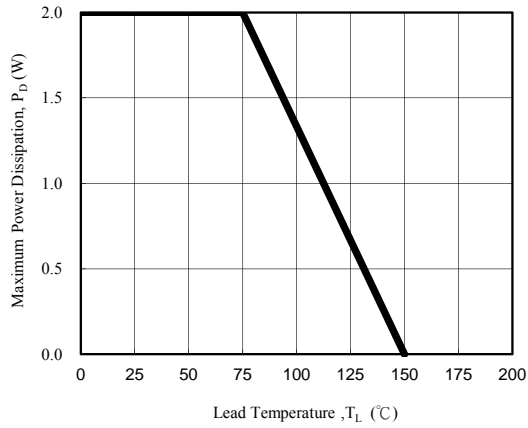


Fig. 1 - Power Temperature Derating Curve

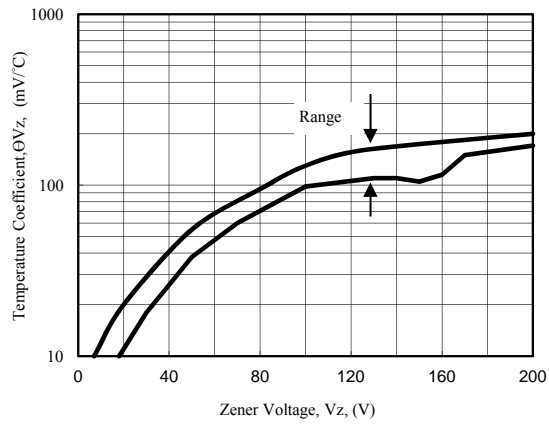


Fig. 2 - Temperature Coefficients v.s. Zener Voltage

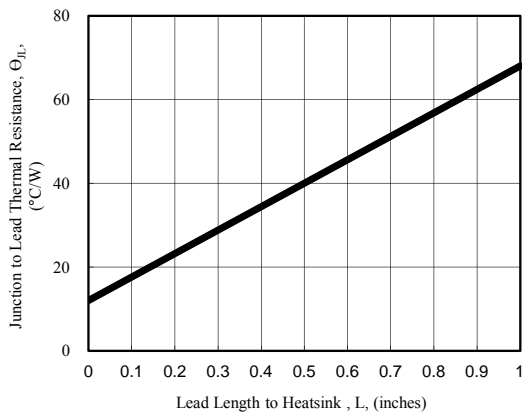


Fig. 3 - Typical Thermal Resistance v.s. Lead Length

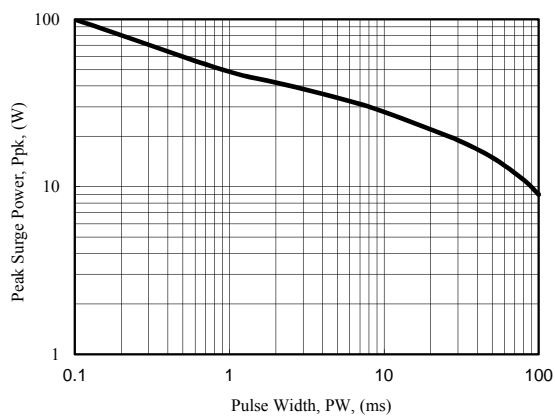


Fig. 4 - Maximum Surge Power

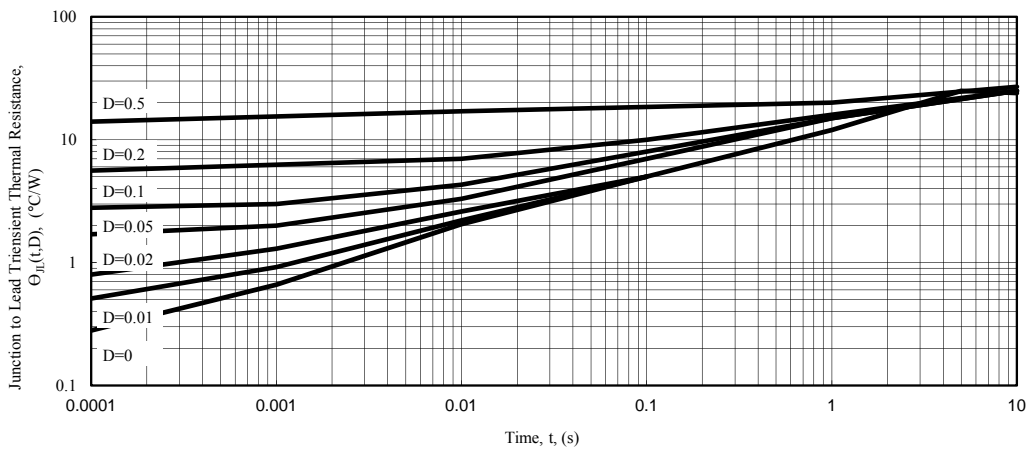


Fig. 5 - Typical Thermal Response L, Lead Length=3/8inch

Electrical Characteristics($T_A=25^{\circ}\text{C}$ unless otherwise noted)

Part Number	Nominal Zener Voltage		Maximum Zener Impedance			Maximum Reverse Leakage Current		Maximum DC Zener Current
	$V_Z @ I_{ZT}$	I_{ZT}	$Z_{ZT} @ I_{ZT}$	$Z_{ZK} @ I_{ZK}$	I_{ZK}	$I_R @ V_R$		I_{ZM}
	(V)	(mA)	(Ω)	(Ω)	(mA)	(μA)	(V)	(mA)
T2EZ2.7D5	2.7	80.0	10.0	400	1.00	100.0	1.0	670.0
T2EZ3.0D5	3.0	160.0	8.0	400	1.00	100.0	1.0	603.0
T2EZ3.3D5	3.3	145.0	8.0	400	1.00	80.0	1.0	548.0
T2EZ3.6D5	3.6	139.0	5.0	400	1.00	80.0	1.0	502.0
T2EZ3.9D5	3.9	128.0	5.0	400	1.00	30.0	1.0	464.0
T2EZ4.3D5	4.3	116.0	4.5	400	1.00	20.0	1.0	421.0
T2EZ4.7D5	4.7	106.0	4.5	550	1.00	5.0	1.0	385.0
T2EZ5.1D5	5.1	98.0	3.5	600	1.00	5.0	1.0	354.0
T2EZ5.6D5	5.6	89.5	2.5	500	1.00	5.0	2.0	323.0
T2EZ6.2D5	6.2	80.5	1.5	700	1.00	5.0	3.0	292.0
T2EZ6.8D5	6.8	73.5	2.0	700	1.00	5.0	4.0	266.0
T2EZ7.5D5	7.5	66.5	2.0	700	0.50	5.0	5.0	242.0
T2EZ8.2D5	8.2	61.0	2.3	700	0.50	5.0	6.0	220.0
T2EZ9.1D5	9.1	55.0	2.5	700	0.50	3.0	7.0	200.0
T2EZ10D5	10.0	50.0	3.5	700	0.25	3.0	7.6	182.0
T2EZ11D5	11.0	45.5	4.0	700	0.25	1.0	8.4	166.0
T2EZ12D5	12.0	41.5	4.5	700	0.25	1.0	9.1	152.0
T2EZ13D5	13.0	38.5	5.0	700	0.25	0.5	9.9	138.0
T2EZ14D5	14.0	35.7	5.5	700	0.25	0.5	10.6	130.0
T2EZ15D5	15.0	33.4	7.0	700	0.25	0.5	11.4	122.0
T2EZ16D5	16.0	31.2	8.0	700	0.25	0.5	12.2	114.0
T2EZ17D5	17.0	29.4	9.0	750	0.25	0.5	13.0	107.0
T2EZ18D5	18.0	27.8	10.0	750	0.25	0.5	13.7	100.0
T2EZ19D5	19.0	26.3	11.0	750	0.25	0.5	14.4	95.0
T2EZ20D5	20.0	25.0	11.0	750	0.25	0.5	15.2	90.0
T2EZ22D5	22.0	22.8	12.0	750	0.25	0.5	16.7	82.0
T2EZ24D5	24.0	20.8	13.0	750	0.25	0.5	18.2	76.0
T2EZ27D5	27.0	18.5	18.0	750	0.25	0.5	20.6	68.0
T2EZ30D5	30.0	16.6	20.0	1000	0.25	0.5	22.5	60.0
T2EZ33D5	33.0	15.1	23.0	1000	0.25	0.5	25.1	55.0
T2EZ36D5	36.0	13.9	25.0	1000	0.25	0.5	27.4	50.0
T2EZ39D5	39.0	12.8	30.0	1000	0.25	0.5	29.7	47.0
T2EZ43D5	43.0	11.6	35.0	1500	0.25	0.5	32.7	43.0
T2EZ47D5	47.0	10.6	40.0	1500	0.25	0.5	35.8	39.0
T2EZ51D5	51.0	9.8	48.0	1500	0.25	0.5	38.8	36.0
T2EZ56D5	56.0	9.0	55.0	2000	0.25	0.5	42.6	32.0
T2EZ62D5	62.0	8.1	60.0	2000	0.25	0.5	47.1	29.0
T2EZ68D5	68.0	7.4	75.0	2000	0.25	0.5	51.7	27.0
T2EZ75D5	75.0	6.7	90.0	2000	0.25	0.5	56.0	24.0
T2EZ82D5	82.0	6.1	100.0	3000	0.25	0.5	62.2	22.0
T2EZ91D5	91.0	5.5	125.0	3000	0.25	0.5	69.2	20.0
T2EZ100D5	100.0	5.0	175.0	3000	0.25	0.5	76.0	18.0

Electrical Characteristics($T_A=25^\circ\text{C}$ unless otherwise noted)

Part Number	Nominal Zener Voltage		Maximum Zener Impedance			Maximum Reverse Leakage Current		Maximum DC Zener Current
	$V_Z @ I_{ZT}$	I_{ZT}	$Z_{ZT} @ I_{ZT}$	$Z_{ZK} @ I_{ZK}$	I_{ZK}	$I_R @ V_R$		I_{ZM}
	(V)	(mA)	(Ω)	(Ω)	(mA)	(μA)	(V)	(mA)
T2EZ110D5	110.0	4.5	250.0	4000	0.25	0.5	83.6	17.0
T2EZ120D5	120.0	4.2	325.0	4500	0.25	0.5	91.2	15.0
T2EZ130D5	130.0	3.8	400.0	5000	0.25	0.5	98.8	14.0
T2EZ140D5	140.0	3.6	500.0	5500	0.25	0.5	106.4	13.0
T2EZ150D5	150.0	3.3	575.0	6000	0.25	0.5	114.0	12.0
T2EZ160D5	160.0	3.1	650.0	6500	0.25	0.5	121.6	11.0
T2EZ170D5	170.0	2.9	675.0	7000	0.25	0.5	130.4	11.0
T2EZ180D5	180.0	2.8	725.0	7000	0.25	0.5	136.8	10.0
T2EZ190D5	190.0	2.6	825.0	8000	0.25	0.5	144.8	10.0
T2EZ200D5	200.0	2.5	1900.0	9990	0.25	0.5	152.0	9.0
T2EZ220D5	220.0	2.0	2000.0	8500	0.25	0.5	167.0	8.0
T2EZ270D5	270.0	1.6	2200.0	8500	0.25	0.5	205.0	6.7
T2EZ300D5	300.0	1.5	2200.0	9000	0.25	0.5	228.0	5.9
T2EZ330D5	330.0	1.4	2300.0	9000	0.25	0.5	250.0	5.4

Notes :

- (1) The type number listed have a standard tolerance on the nominal zener voltage of $\pm 5\%$
- (2) The reverse surge current is a non-repetitive, 8.3ms pulse width square wave or equivalent sine-wave superimposed