

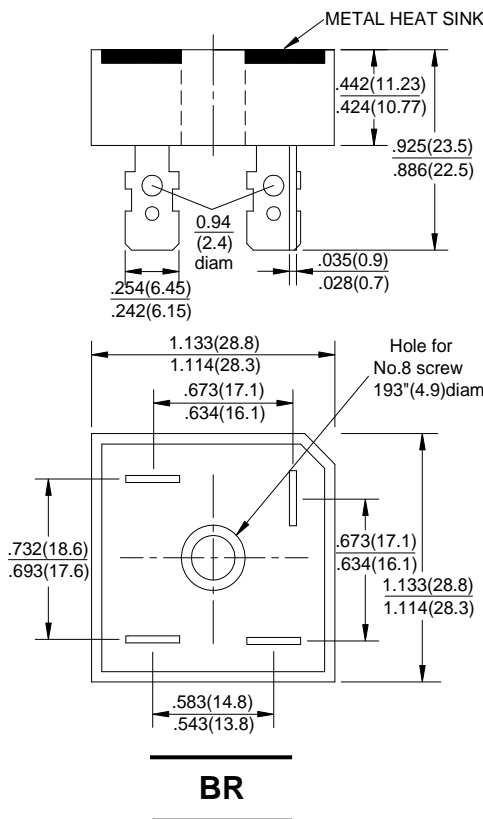
SILICON BRIDGE RECTIFIERS

REVERSE VOLTAGE - 50 to 1000Volts
 FORWARD CURRENT - 10/15/25/35/50 Amperes

Features

- Surge overload -240~500amperes peak
- Low forward voltage drop
- Mounting position: Any
- Electrically isolated base -2000 Volts
- Solderable 0.25" FAST ON terminals
- Materials used carries U/L recognition

Dimensions In Inches and (millimeters)



Part Number Code

T	B	R	1	0	0	0	5
1	2	3	4	5	6	7	8

<table border="1" style="width: 100%; text-align: center;"> <tr><td colspan="2">Product Type</td></tr> <tr><td>TSK</td><td>TBR series</td></tr> </table>	Product Type		TSK	TBR series	<table border="1" style="width: 100%; text-align: center;"> <tr><td colspan="2">Rectified Current</td></tr> <tr><td>10</td><td>10A</td></tr> <tr><td>15</td><td>15A</td></tr> <tr><td>25</td><td>25A</td></tr> </table>	Rectified Current		10	10A	15	15A	25	25A	<table border="1" style="width: 100%; text-align: center;"> <tr><td colspan="2">Peak Repetitive Reverse Voltage (V)</td></tr> <tr><td>005</td><td>50V</td></tr> <tr><td>01</td><td>100V</td></tr> <tr><td>02</td><td>200V</td></tr> </table>	Peak Repetitive Reverse Voltage (V)		005	50V	01	100V	02	200V
Product Type																						
TSK	TBR series																					
Rectified Current																						
10	10A																					
15	15A																					
25	25A																					
Peak Repetitive Reverse Voltage (V)																						
005	50V																					
01	100V																					
02	200V																					

MAXIMUM RATINGS AND ELECTRICAL CHARACTERISTICS

Rating at 25°C ambient temperature unless otherwise specified.

Resistive or inductive load 60HZ.

For capacitive load current by 20%

CHARACTERISTICS	SYMBOL	TBR	TBR	TBR	TBR	TBR	TBR	TBR	UNIT			
		10005	1001	1002	1004	1006	1008	1010				
		15005	1501	1502	1504	1506	1508	1510				
		25005	2501	2502	2504	2506	2508	2510				
		35005	3501	3502	3504	3506	3508	3510				
		50005	5001	5002	5004	5006	5008	5010				
Maximum Recurrent Peak Reverse Voltage	V _{RRM}	50	100	200	400	600	800	1000	V			
Maximum RMS Bridge Input Voltage	V _{RMS}	35	70	140	280	420	560	700	V			
Maximum Average Forward Rectified Output Current @T _c =55°C	I _(AV)	TBR 10	10	TBR 15	15	TBR 25	25	TBR 35	35	TBR 50	50	A
Peak Forward Surge Current 8.3ms Single Half Sine-Wave Super Imposed on Rated Load	I _{FSM}	TBR 10	240	TBR 15	300	TBR 25	400	TBR 35	400	TBR 50	500	A
Maximum Forward Voltage Drop Per Element at 5.0/7.5/12.5/17.5/25.0A Peak	V _F	1.1									V	
Maximum Reverse Current at Rated DC Blocking Voltage Per Element @T _J =25°C	I _R	10.0									μA	
Operating Temperature Range	T _J	-55 to +150									°C	
Storage Temperature Range	T _{STG}	-55 to +150									°C	

RATING AND CHARACTERISTIC CURVES

FIG.1-MAXIMUM FORWARD SURGE CURRENT

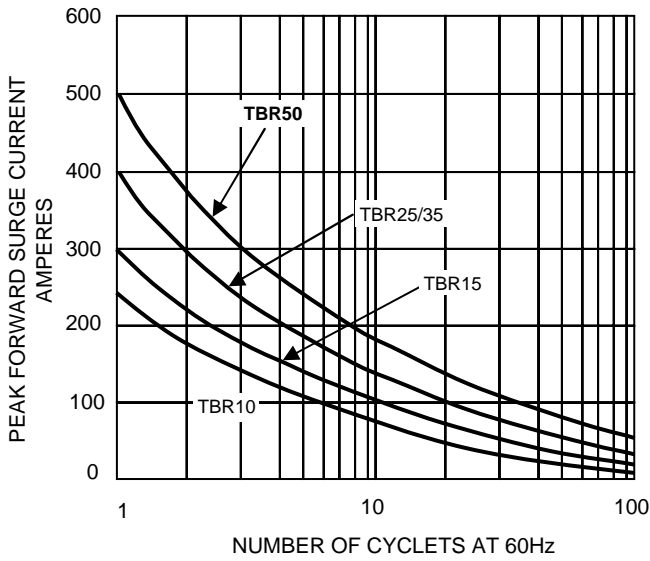


FIG.2- DERATING CURVE OUTPUT RECTIFIED CURRENT

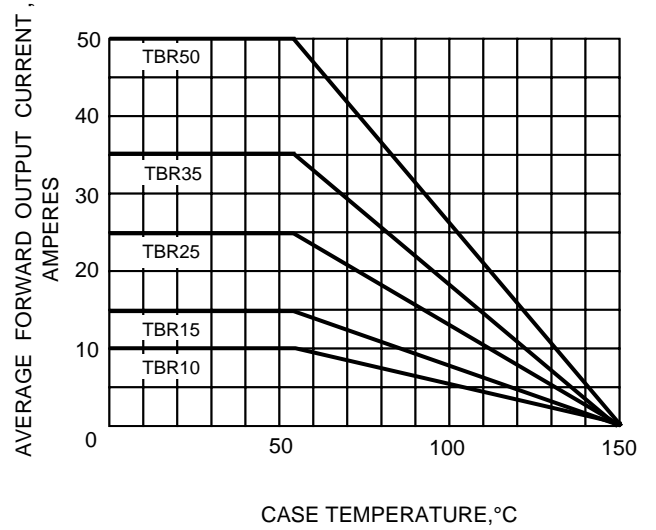


FIG.3-TYPICAL FORWARD CHARACTERISTICS

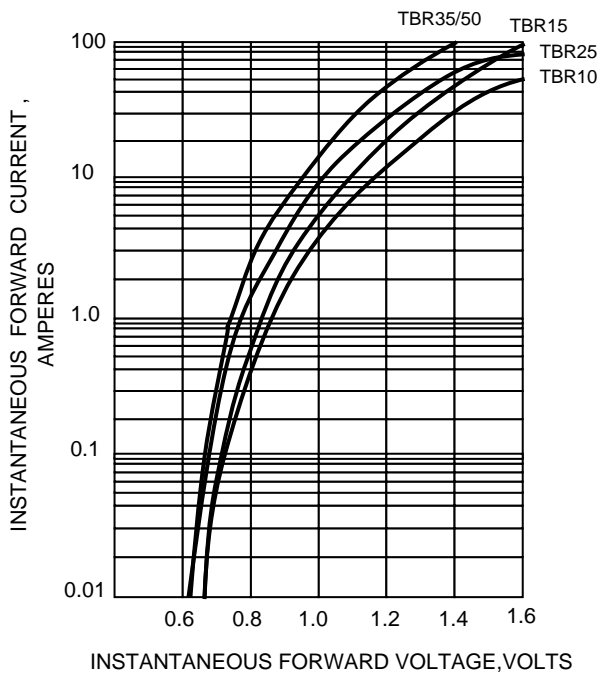
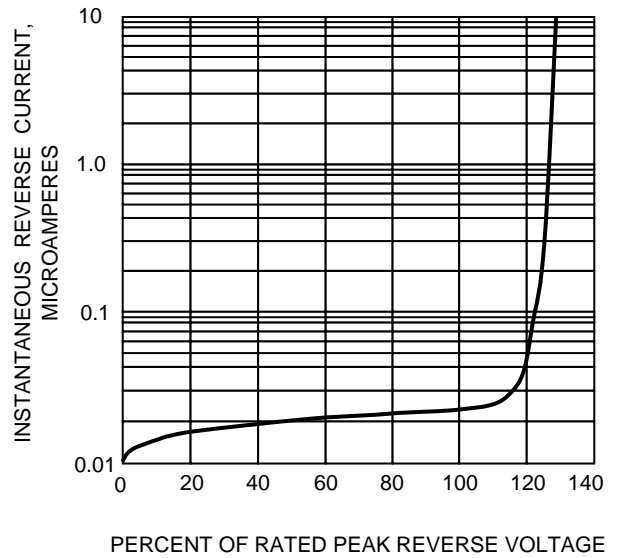


FIG.4-TYPICAL REVERSE CHARACTERISTICS



The cruve graph is for reference only, can't be the basis for judgment(曲线图仅供参考)!