

**Voltage Range 100 to 600 V**  
**Current 8.0 Ampere**

**Features**

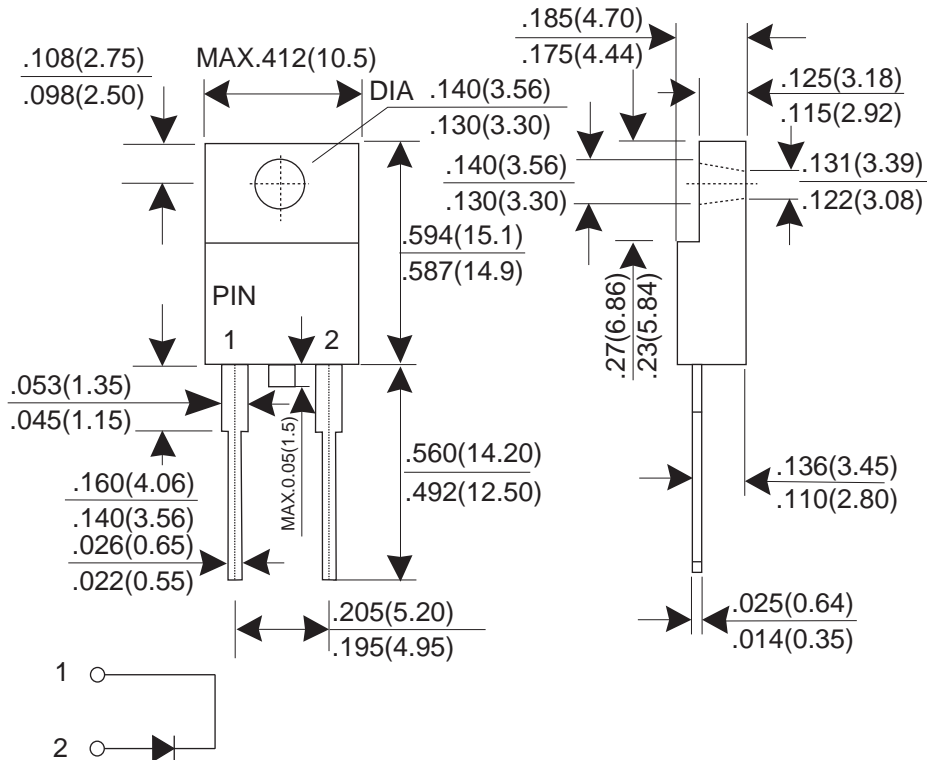
- ★ Fast switching for high efficiency
- ★ Low forward voltage drop
- ★ High current capability
- ★ Low reverse leakage current
- ★ High surge current capability

**Mechanical Data**

- ★ Case: Molded plastic ITO-220AC
- ★ Epoxy: UL 94V-0 rate flame retardant
- ★ Terminals: Solderable per MIL-STD-202 method 208
- ★ Polarity: Color band denotes cathode
- ★ Mounting position: Any
- ★ Weight: 1.73 grams

**Dimensions in inches and (millimeters)**

**ITO-220AC**



Dimensions in inches and (millimeters)

## MAXIMUM RATINGS AND ELECTRICAL CHARACTERISTICS

Rating at 25°C ambient temperature unless otherwise specified.  
 Single phase, half wave, 60Hz, resistive or inductive load.  
 For capacitive load, derate current by 20%.

PARAMTER	SYMBOL	TEF 8A02F	TEF 8A03F	TEF 8A05F	TEF 8A06F	UNIT
Maximum Recurrent Peak Reverse Voltage	VRRM	100	200	400	600	V
Maximum RMS Voltage	VRMS	70	140	280	420	V
Maximum DC Blocking Voltage	VDC	100	200	400	600	V
Maximum Average Forward Rectified Current Tc=100°C	IF(AV)	8.0				A
Peak Forward Surge Current, 8.3ms single Half sine-wave superimposed on rated load (JEDEC method)	IFSM	125				A
Maximum Instantaneous Forward Voltage @ 8.0 A	VF	0.95		1.25	2.4	V
Maximum DC Reverse Current @Tj=25°C At Rated DC Blocking Voltage @Tj=125°C	IR	10.0 250				uA uA
Maximum Reverse Recovery Time (Note 1)	Trr	25				nS
Typical junction Capacitance (Note 2)	CJ	85			50	pF
Typical Thermal Resistance (Note 3)	RθJC	5.0				°CW
Operating Junction and Storage Temperature Range	TJ, TSTG	-55 to +150				°C

NOTES : (1) Reverse recovery test conditions  $I_F = 0.5A$ ,  $I_R = 1.0A$ ,  $I_{rr} = 0.25A$ .  
 (2) Measured at 1.0 MHz and applied reverse voltage of 4.0 Volts DC.  
 (3) Thermal Resistance junction to case.

RATING AND CHARACTERISTIC CURVES

FIG.1 - FORWARD CURRENT DERATING CURVE

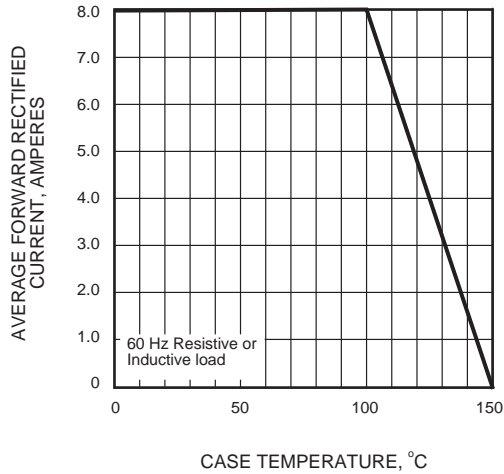


FIG.2 - MAXIMUM NON-REPETITIVE PEAK FORWARD SURGE CURRENT

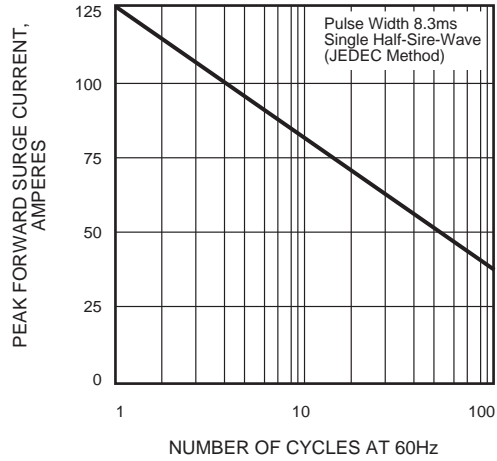


FIG.3 - TYPICAL INSTANTANEOUS FORWARD CHARACTERISTICS

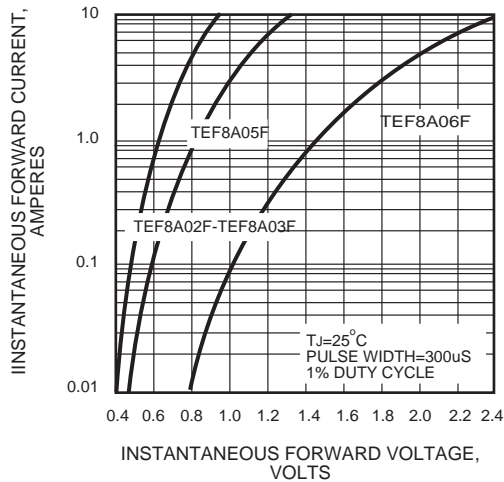


FIG.4 - TYPICAL REVERSE CHARACTERISTICS

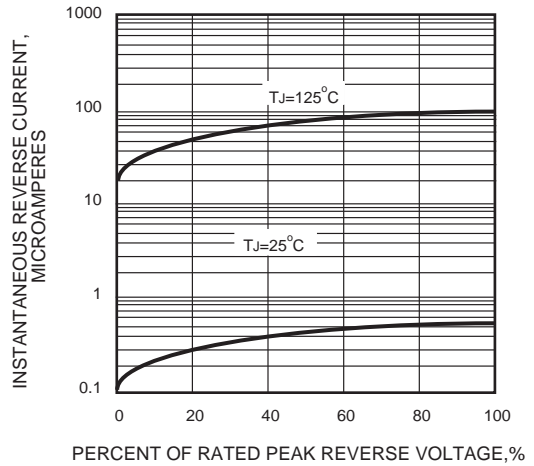


FIG.5 - TYPICAL JUNCTION CAPACITANCE

