

Voltage Range 50 to 1000 V

Current 8.0 Ampere

Features

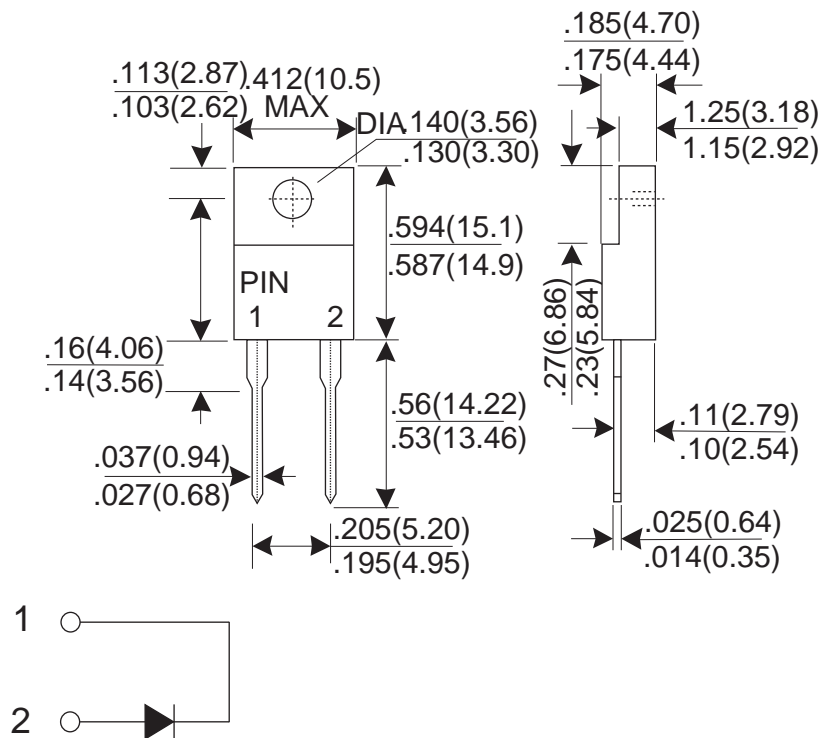
- * Low forward voltage drop
- * High current capability
- * Low reverse leakage current
- * High surge current capability

Mechanical Data

- * Case: Molded plastic ITO-220AC
- * Epoxy: UL 94V-0 rate flame retardant
- * Terminals: Solderable per MIL-STD-202 method 208
- * Polarity: As marked on the body
- * Mounting position: Any
- * Weight: 2.07 grams

Dimensions in inches and (millimeters)

ITO-220AC



MAXIMUM RATINGS AND ELECTRICAL CHARACTERISTICS

Rating at 25°C ambient temperature unless otherwise specified.
 Single phase, half wave, 60Hz, resistive or inductive load.
 For capacitive load, derate current by 20%.

PARAMETER	SYMBOL	TGP 8A01F	TGP 8A02F	TGP 8A03F	TGP 8A04F	TGP 8A05F	TGP 8A06F	TGP 8A07F	UNIT
Maximum Recurrent Peak Reverse Voltage	VRRM	50	100	200	400	600	800	1000	V
Maximum RMS Voltage	VRMS	35	70	140	280	420	560	700	V
Maximum DC Blocking Voltage	VDC	50	100	200	400	600	800	1000	V
Maximum Average Forward Rectified Current Tc=100°C	I(AV)	8.0							A
Peak Forward Surge Current, 8.3ms single Half sine-wave superimposed on rated load (JEDEC method)	IFSM	150							A
Maximum Instantaneous Forward Voltage @ 8.0 A	VF	1.1							V
Maximum DC Reverse Current @Tj=25°C At Rated DC Blocking Voltage @Tj=125°C	IR	10.0							uA
		100							uA
Typical junction Capacitance (Note 1)	CJ	50							pF
Operating Junction and Storage Temperature Range	Tj,TSTG	-55 to +150							°C

NOTES : (1) Measured at 1.0 MHz and applied reverse voltage of 4.0 Volts DC.

RATING AND CHARACTERISTIC CURVES

FIG.1 - FORWARD CURRENT DERATING CURVE

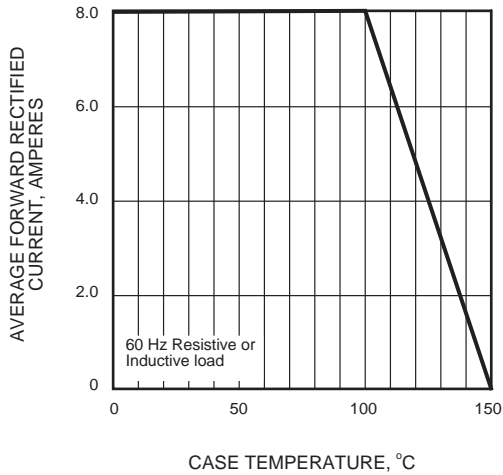


FIG.2 - MAXIMUM NON-REPETITIVE PEAK FORWARD SURGE CURRENT

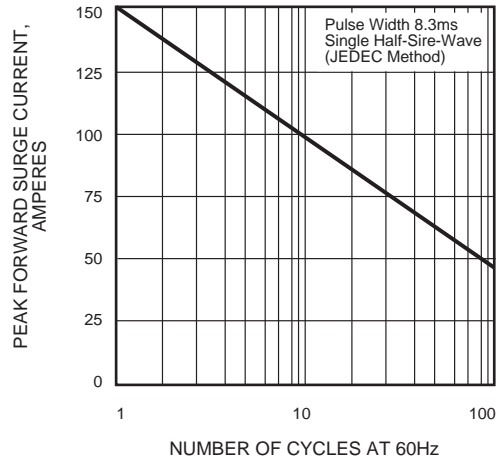


FIG.3 - TYPICAL INSTANTANEOUS FORWARD CHARACTERISTICS

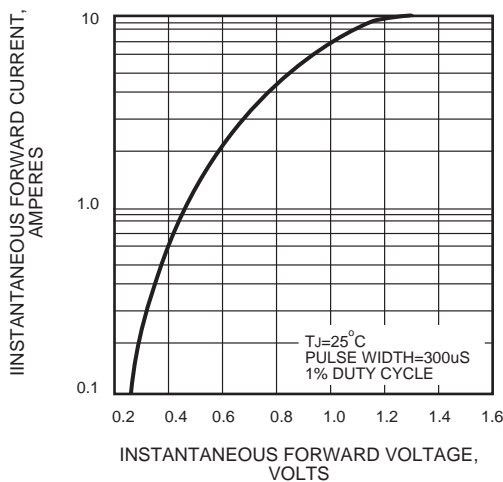


FIG.4 - TYPICAL REVERSE CHARACTERISTICS

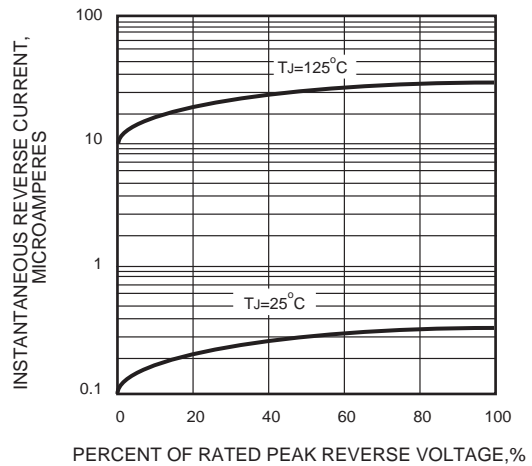


FIG.5 - TYPICAL JUNCTION CAPACITANCE

