

**GLASS PASSIVATED  
BRIDGE RECTIFIERS**

REVERSE VOLTAGE - **50** to **1000**Volts  
FORWARD CURRENT - **10.0**Amperes

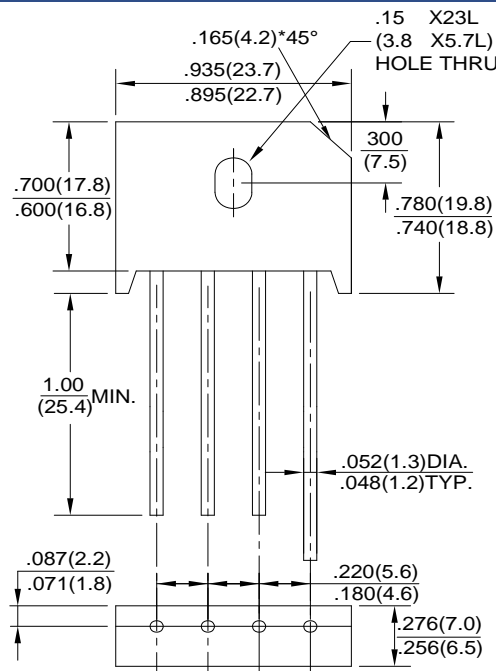
**Features**

- Surge overload rating -240 amperes peak
- Ideal for printed circuit board
- Reliable low cost construction utilizing molded plastic technique
- Plastic material has U/L flammability classification 94V-0
- Mounting position:Any

**Typical Applications**

General purpose use in AC/DC bridge full wave rectification for switching power supply, home appliances and white-goods applications specially for telecom power supply, high efficiency desktop PC and server SMPS.

**Dimensions In Inches and (millimeters)**



Dimensions in inches and (millimeters)

**KBU**

**Part Number Code**

<b>T</b>	<b>K</b>	<b>B</b>	<b>U</b>	<b>4</b>	<b>0</b>	<b>0</b>	<b>5</b>
<b>1</b>	<b>2</b>	<b>3</b>	<b>4</b>	<b>5</b>	<b>6</b>	<b>7</b>	<b>8</b>

Product Type

TSK	TKBU series
-----	-------------

I<sub>o</sub> (A)

6	6A
8	8A
25	25A

Peak Repetitive Reverse Voltage (V)

005	50V
06	600V
10	1000V

## MAXIMUM RATINGS AND ELECTRICAL CHARACTERISTICS

Rating at 25°C ambient temperature unless otherwise specified.

Single phase, half wave ,60Hz, resistive or inductive load.

For capacitive load, derate current by 20%

CHARACTERISTICS	SYMBOL	TKBU 10005	TKBU 1001	TKBU 1002	TKBU 1004	TKBU 1006	TKBU 1008	TKBU 1010	UNIT
Maximum Recurrent Peak Reverse Voltage	VRRM	50	100	200	400	600	800	1000	V
Maximum RMS Voltage	VRMS	35	70	140	280	420	560	700	V
Maximum DC Blocking Voltage	VDC	50	100	200	400	600	800	1000	V
Maximum Average Forward (with heatsink Note 1) Rectified Current @ Tc=100°C (without heatsink)	I(AV)	10.0 3.0							A
Peak Forward Surge Current 8.3ms Single Half Sine-Wave Super Imposed on Rated Load (JEDEC Method)	IFSM	240							A
Maximum Forward Voltage at 5.0A DC	VF	1.0							V
Maximum DC Reverse Current @ Tj=25°C at Rated DC Blocking Voltage @ Tj=125°C	IR	10 500							µA
Operating Temperature Range	TJ	-55 to+150							°C
Storage Temperature Range	TSTG	-55 to+150							°C

NOTES: 1.Device mounted on 100mm\*100mm\*1.6mm Cu plate heatsink.

RATING AND CHARACTERISTIC CURVES

FIG.1-MAXIMUM FORWARD SURGE CURRENT

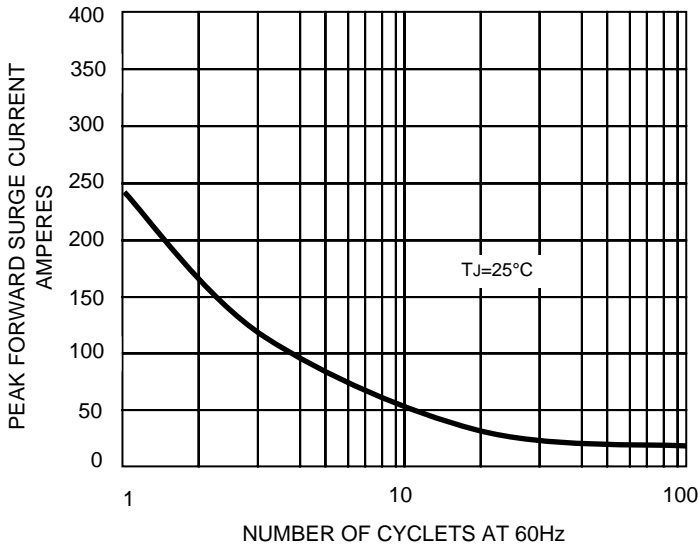


FIG. 2 – DERATING CURVE OUTPUT RECTIFIED CURRENT

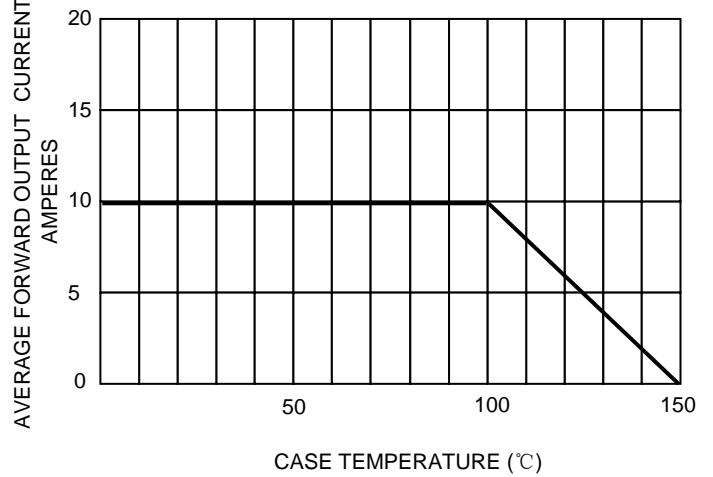


FIG.3– TYPICAL FORWARD CHARACTERISTICS

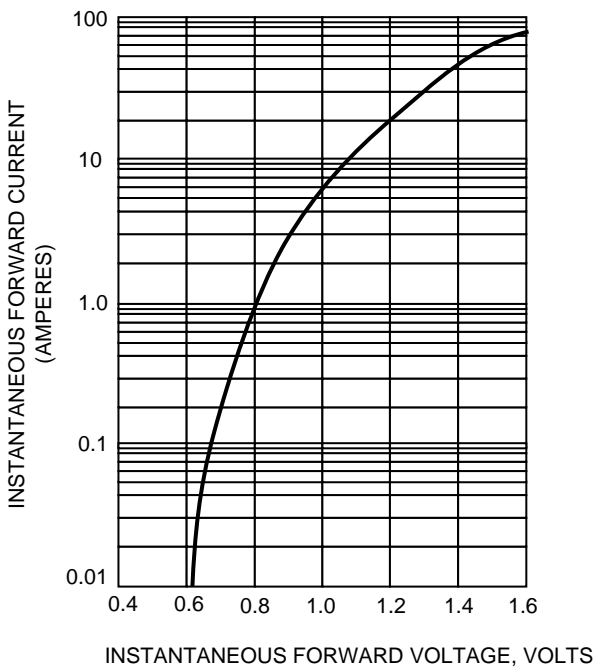
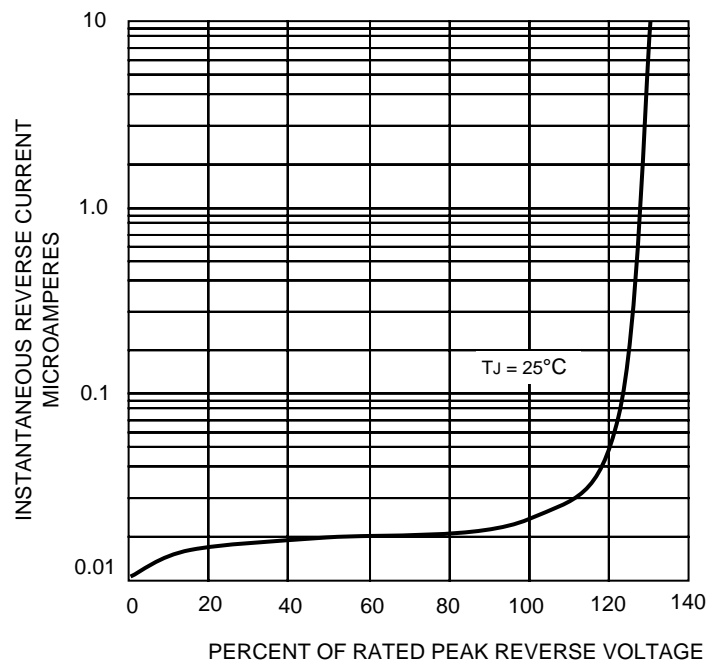


FIG.4– TYPICAL REVERSE CHARACTERISTICS



The cruve graph is for reference only, can't be the basis for judgment(曲线图仅供参考)!