

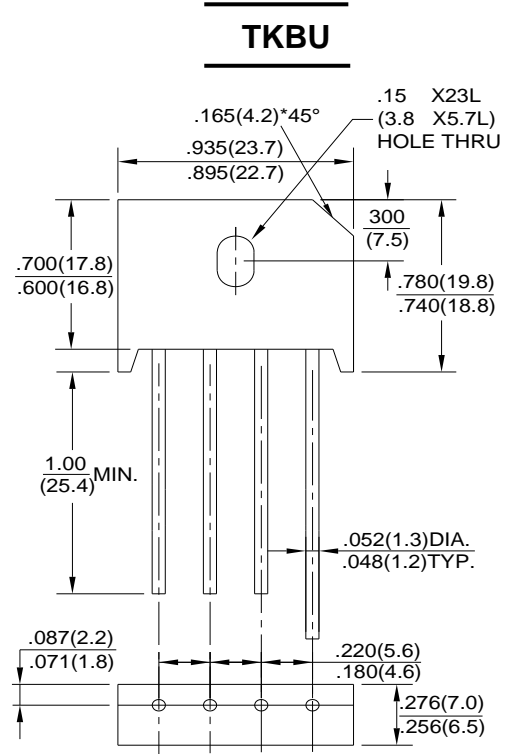
**GLASS PASSIVATED  
BRIDGE RECTIFIERS**

REVERSE VOLTAGE - **50 to 1000** Volts  
FORWARD CURRENT - **6.0** Ampere

**Features**

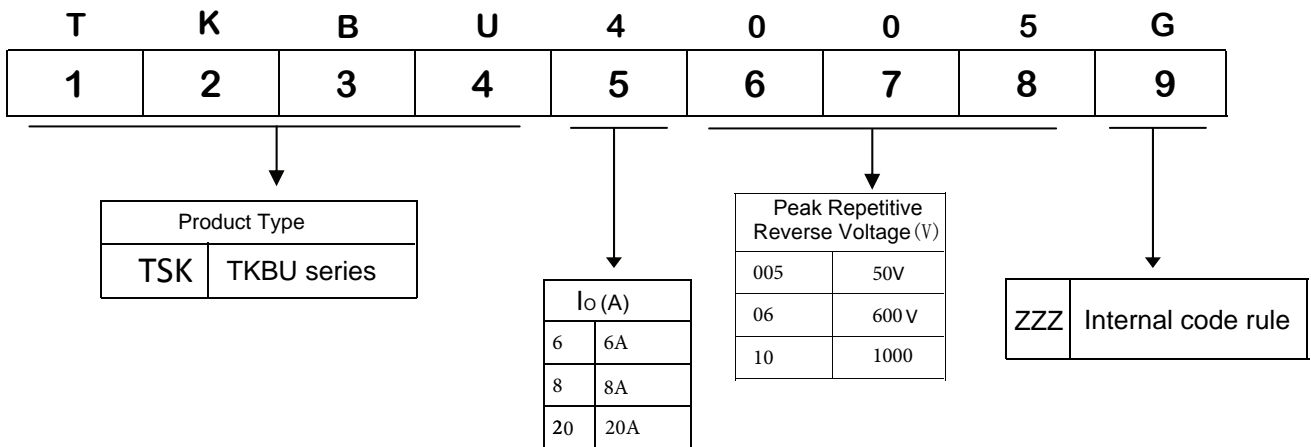
- Surge overload rating -150 amperes peak
- Ideal for printed circuit board
- Reliable low cost construction utilizing molded plastic technique
- Plastic material has UL
- Mounting position:Any
- Mounting torque:5 In.lb.Max

**Dimensions In Inches and (millimeters)**



Dimensions in inches and (millimeters)

**Part Number Code**



## MAXIMUM RATINGS AND ELECTRICAL CHARACTERISTICS

Rating at 25°C ambient temperature unless otherwise specified.

Single phase, half wave ,60Hz, resistive or inductive load.

For capacitive load, derate current by 20%

| CHARACTERISTICS                                                                                         | SYMBOL | TKBU<br>6005G | TKBU<br>601G | TKBU<br>602G | TKBU<br>604G | TKBU<br>606G | TKBU<br>608G | TKBU<br>610G | UNIT |
|---------------------------------------------------------------------------------------------------------|--------|---------------|--------------|--------------|--------------|--------------|--------------|--------------|------|
| Maximum Recurrent Peak Reverse Voltage                                                                  | VRRM   | 50            | 100          | 200          | 400          | 600          | 800          | 1000         | V    |
| Maximum RMS Voltage                                                                                     | VRMS   | 35            | 70           | 140          | 280          | 420          | 560          | 700          | V    |
| Maximum DC Blocking Voltage                                                                             | VDC    | 50            | 100          | 200          | 400          | 600          | 800          | 1000         | V    |
| Maximum Average Forward<br>Rectified Output Current at Tc=100°C                                         | I(AV)  | 6.0           |              |              |              |              |              |              | A    |
| Peak Forward Surge Current 8.3ms single<br>Half Sine-Wave Super Imposed on Rated Load<br>(JEDEC Method) | IFSM   | 150           |              |              |              |              |              |              | A    |
| Maximum Instantaneous Forward Voltage Drop<br>per Element at 4.0A                                       | VF     | 1.1           |              |              |              |              |              |              | V    |
| Maximum Reverse Leakage at rated Tj=25°C<br>DC Blocking Voltage Per Element Tj=100°C                    | IR     | 10<br>100     |              |              |              |              |              |              | µA   |
| Typical Junction Capacitance Per Element (Note1)                                                        | CJ     | 260           |              |              |              |              |              |              | pF   |
| Operating Temperature Range                                                                             | TJ     | -55 to +150   |              |              |              |              |              |              | °C   |
| Storage Temperature Range                                                                               | TSTG   | -55 to +150   |              |              |              |              |              |              | °C   |

NOTES: 1.Measured at 1.0MHz and applied reverse voltage of 4.0V DC.

2.The typical data above is for reference only(典型值仅供参考).

RATING AND CHARACTERISTIC CURVES

FIG.1-DERATING CURVE FOR OUTPUT RECTIFIED CURRENT

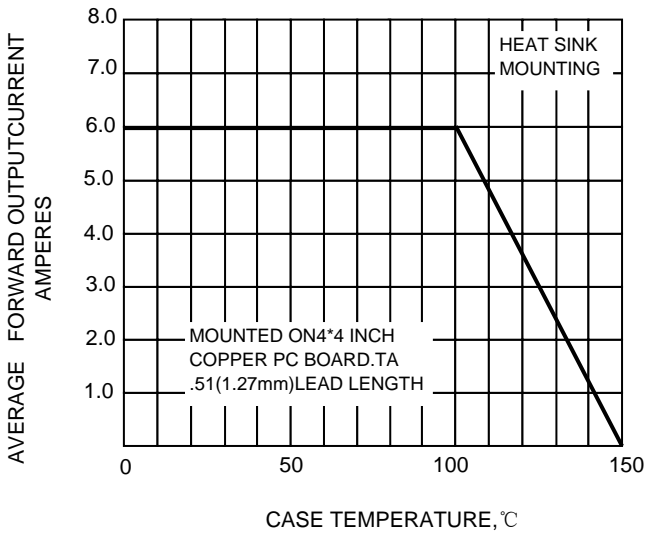


FIG.2 TYPICAL INSTANTANEOUS FORWARD CHARACTERISTIC

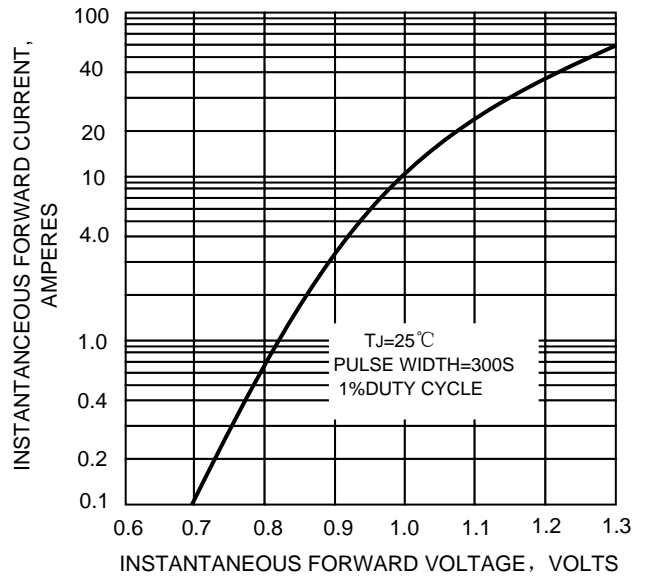


FIG.3-MAXIMUM NON-REPETITIVE PEAK FORWARD SURGE CURRENT

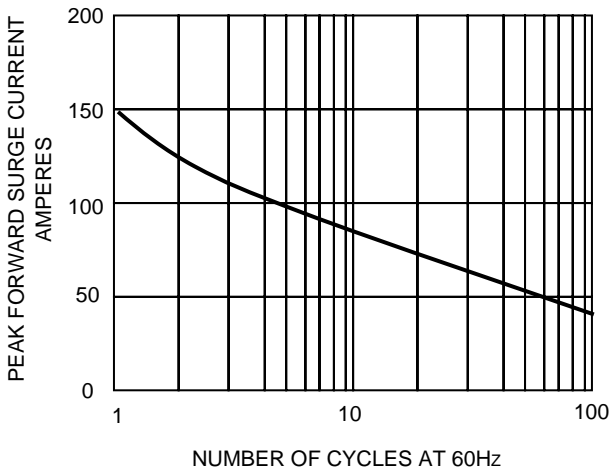


FIG.4-TYPICAL REVERSE CHARACTERISTICS

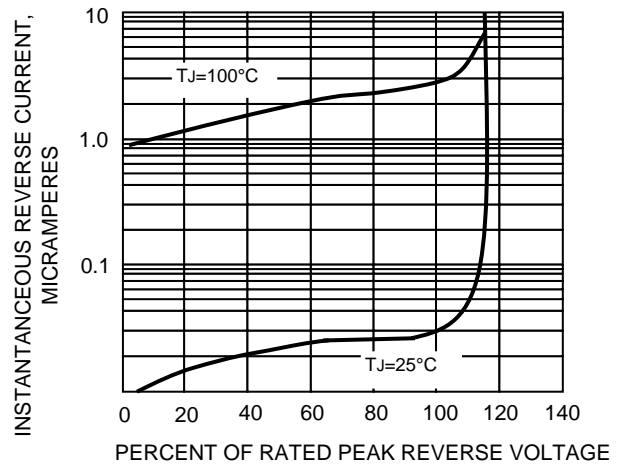


FIG.5-TYPICAL JUNCTION CAPACITANCE PER ELEMENT

