

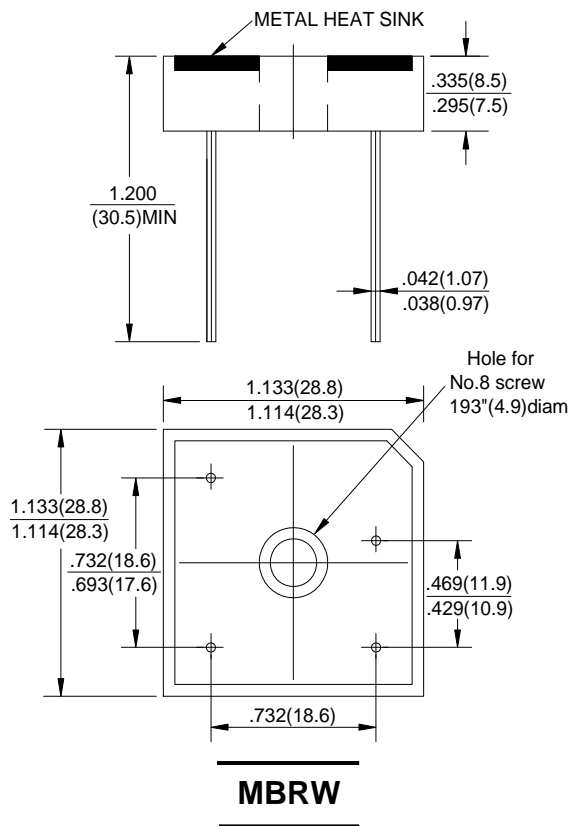
SILICON BRIDGE RECTIFIERS

REVERSE VOLTAGE - 50 to 1000Volts
 FORWARD CURRENT - 10/15/25/35/50 Amperes

Features

- Surge overload -240~500 amperes peak
- Low forward voltage drop
- Mounting position: Any
- Electrically isolated base -2000 Volts
- Materials used carries U/L recognition

Dimensions In Inches and (milimeters)



Part Number Code

T	M	B	R	1	0	0	0	5	W
1	2	3	4	5	6	7	8	9	10

<table border="1" style="width: 100%; text-align: center;"> <tr><td colspan="2">Product Type</td></tr> <tr><td>TSK</td><td>TGBPC series</td></tr> </table>	Product Type		TSK	TGBPC series	<table border="1" style="width: 100%; text-align: center;"> <tr><td colspan="2">Rectified Current</td></tr> <tr><td>10</td><td>10A</td></tr> <tr><td>15</td><td>15A</td></tr> <tr><td>25</td><td>25A</td></tr> </table>	Rectified Current		10	10A	15	15A	25	25A	<table border="1" style="width: 100%; text-align: center;"> <tr><td colspan="2">Peak Repetitive Reverse Voltage (V)</td></tr> <tr><td>005</td><td>50V</td></tr> <tr><td>01</td><td>100V</td></tr> <tr><td>02</td><td>200V</td></tr> </table>	Peak Repetitive Reverse Voltage (V)		005	50V	01	100V	02	200V	<table border="1" style="width: 100%; text-align: center;"> <tr><td>ZZZ</td><td>Internal code rule</td></tr> </table>	ZZZ	Internal code rule
Product Type																									
TSK	TGBPC series																								
Rectified Current																									
10	10A																								
15	15A																								
25	25A																								
Peak Repetitive Reverse Voltage (V)																									
005	50V																								
01	100V																								
02	200V																								
ZZZ	Internal code rule																								

MAXIMUM RATINGS AND ELECTRICAL CHARACTERISTICS

Rating at 25°C ambient temperature unless otherwise specified.

Resistive or inductive load 60HZ.

For capacitive load current by 20%

CHARACTERISTICS	SYMBOL	TMBR-W	TMBR-W	TMBR-W	TMBR-W	TMBR-W	TMBR-W	TMBR-W	UNIT
		10005	1001	1002	1004	1006	1008	1010	
		15005	1501	1502	1504	1506	1508	1510	
		25005	2501	2502	2504	2506	2508	2510	
		35005	3501	3502	3504	3506	3508	3510	
		50005	5001	5002	5004	5006	5008	5010	
Maximum Recurrent Peak Reverse Voltage	V _{RRM}	50	100	200	400	600	800	1000	V
Maximum RMS Bridge Input Voltage	V _{RMS}	35	70	140	280	420	560	700	V
Maximum Average Forward Rectified Output Current at @T _c =55°C	I _(AV)	10	15	25	35	50			
Peak Forward Surge Current 8.3ms Single Half Sine-Wave Super Imposed on Rated Load	I _{FSM}	240	300	400	400	500			
Maximum Forward Voltage Drop Per Element at 5.0/7.5/12.5/17./25.0 Peak	V _F	1.1							V
Maximum Reverse Current at Rated DC Blocking Voltage Per Element @T _J =25°C	I _R	10.0							μA
Operating Temperature Range	T _J	-55 to +150							°C
Storage Temperature Range	T _{STG}	-55 to +150							°C

RATING AND CHARACTERISTIC CURVES

FIG.1-MAXIMUM FORWARD SURGE CURRENT

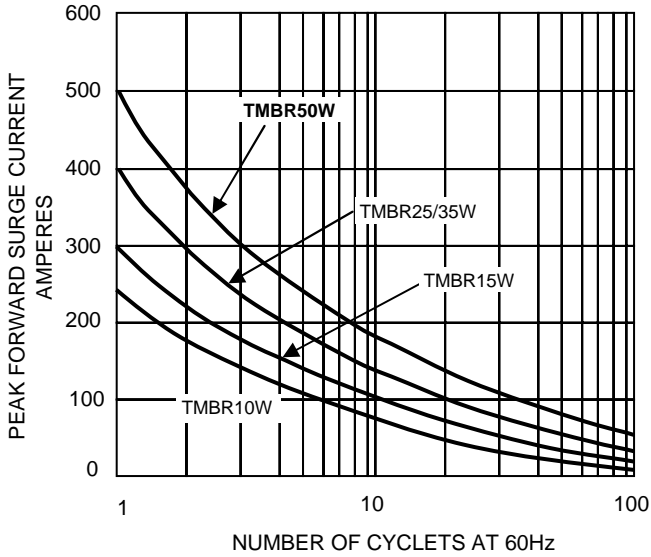


FIG. 2 – DERATING CURVE OUTPUT RECTIFIED CURRENT

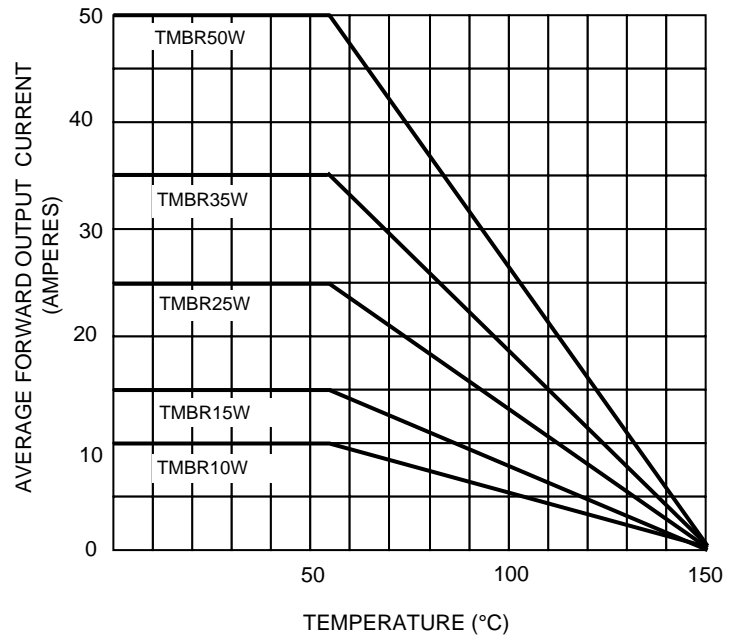


FIG.3 – TYPICAL FORWARD CHARACTERISTICS

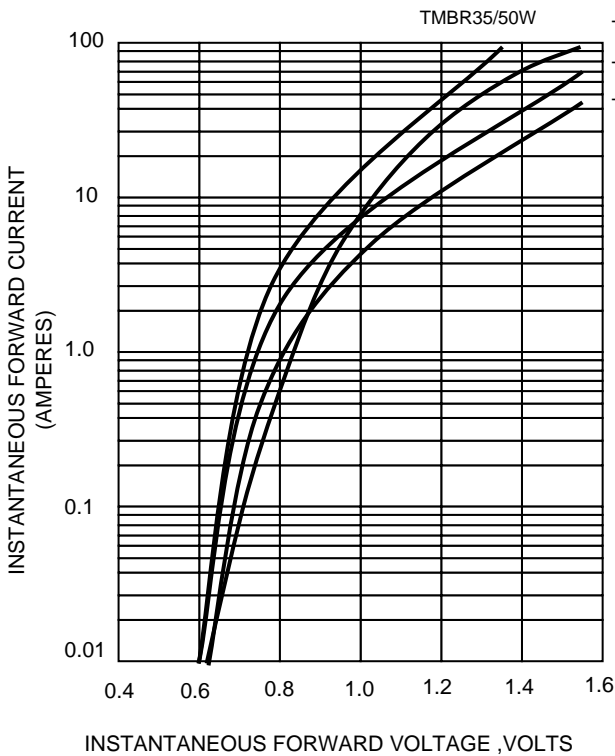
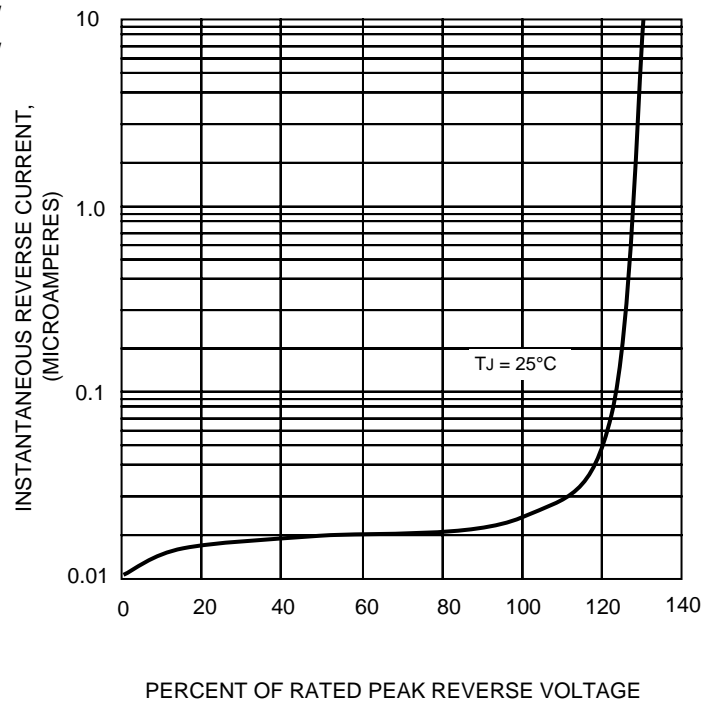


FIG.4 – TYPICAL REVERSE CHARACTERISTICS



The cruve graph is for reference only, can't be the basis for judgment(曲线图仅供参考)!