

SILICON BRIDGE RECTIFIERS

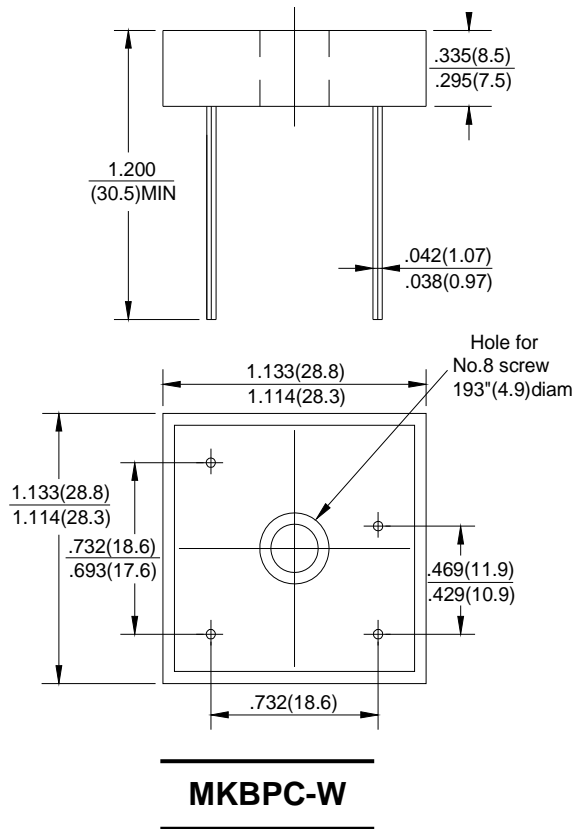
REVERSE VOLTAGE - **50 to 1000**Volts

FORWARD CURRENT - **10/15/25/35/50** Amperes

Features

- Surge overload -240~500 Amperes peak
- Low forward voltage drop
- Mounting Position : Any
- Electrically isolated base -2000 Volts
- Materials used carries U/L recognition

Dimensions In Inches and (milimeters)



Part Number Code

T	M	K	B	P	C	1	0	0	0	5	W
1	2	3	4	5	6	7	8	9	10	11	12

Product Type		Rectified Current		Peak Repetitive Reverse Voltage (V)		ZZZ	Internal code rule
TSK	TMKBPC series	10	10A	005	50V		
		15	15A	01	100V		
		25	25A	02	200V		

MAXIMUM RATINGS AND ELECTRICAL CHARACTERISTICS

Rating at 25°C ambient temperature unless otherwise specified.

Resistive or inductive load 60Hz.

For capacitive load current by 20%

CHARACTERISTICS	SYMBOL	TMKBPC	TMKBPC	TMKBPC	TMKBPC	TMKBPC	TMKBPC	TMKBPC	TMKBPC	UNIT		
		-W	-W	-W	-W	-W	-W	-W	-W			
		10005	1001	1002	1004	1006	1008	1010				
		15005	1501	1502	1504	1506	1508	1510				
		25005	2501	2502	2504	2506	2508	2510				
		35005	3501	3502	3504	3506	3508	3510				
Maximum Recurrent Peak Reverse Voltage	V _{RRM}	50	100	200	400	600	800	1000	V			
Maximum RMS Bridge Input Voltage	V _{RMS}	35	70	140	280	420	560	700	V			
Maximum Average Forward Rectified Output Current @T _c =55°C	I _(AV)	TM KBPC 10W	10	TM KBPC 15W	15	TM KBPC 25W	25	TM KBPC 35W	35	TM KBPC 50W	50	A
Peak Forward Surge Current 8.3ms Single Half Sine-Wave Super Imposed on Rated Load	I _{FSM}	10W	240	15W	300	25W	400	35W	400	50W	500	A
Maximum Forward Voltage Drop Per Element at 5.0/7.5/12.5/17.5/25.0A Peak	V _F	1.1									V	
Maximum Reverse Current at Rated DC Blocking Voltage Per Element @T _J =25°C	I _R	10									μA	
Operating Temperature Range	T _J	-55 to +150									°C	
Storage Temperature Range	T _{STG}	-55 to +150									°C	

RATING AND CHARACTERISTIC CURVES

FIG.1-MAXIMUM FORWARD SURGE CURRENT

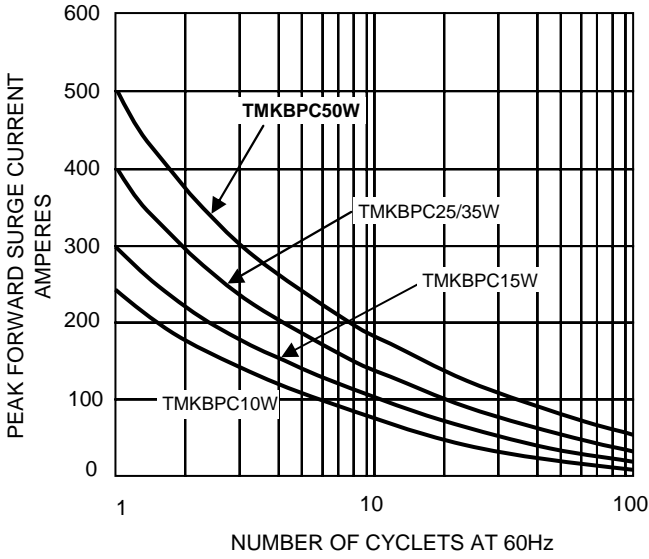


FIG.2- DERATING CURVE
OUTPUT RECTIFIED CURRENT

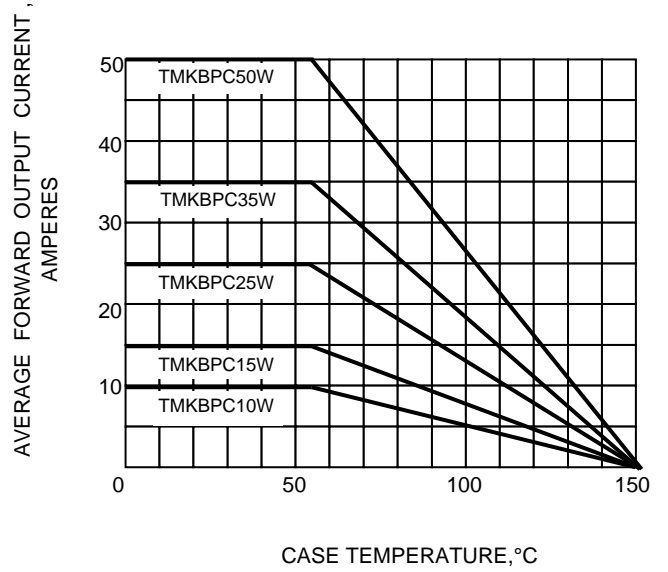


FIG.3-TYPICAL FORWARD CHARACTERISTICS

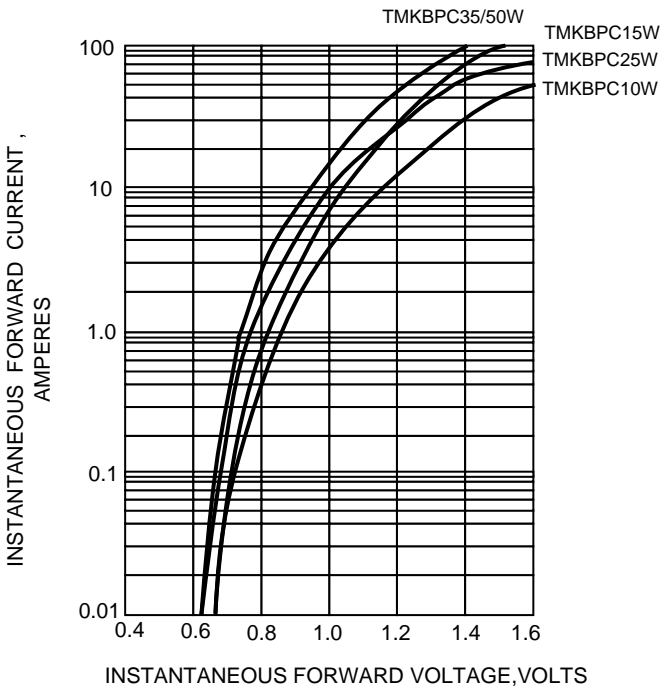
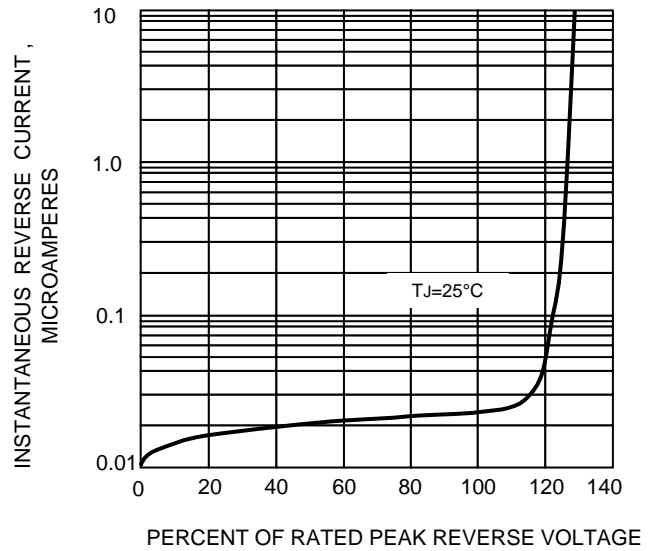


FIG.4-TYPICAL REVERSE CHARACTERISTICS



The cruve graph is for reference only, can't be the basis for judgment(曲线图仅供参考)!