

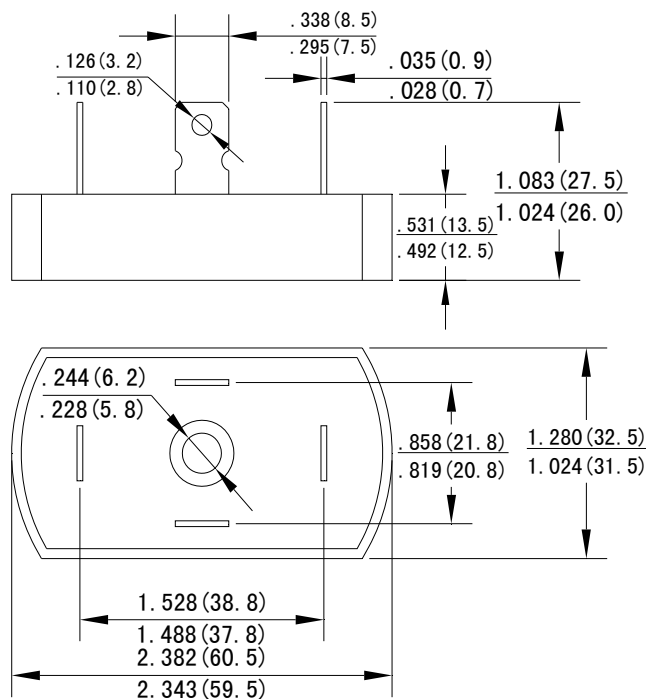
**SILICON BARRIER RECTIFIERS**

REVERSE VOLTAGE - **100 to 1000**Volts  
 FORWARD CURRENT - **5.0** Amperes

**Features**

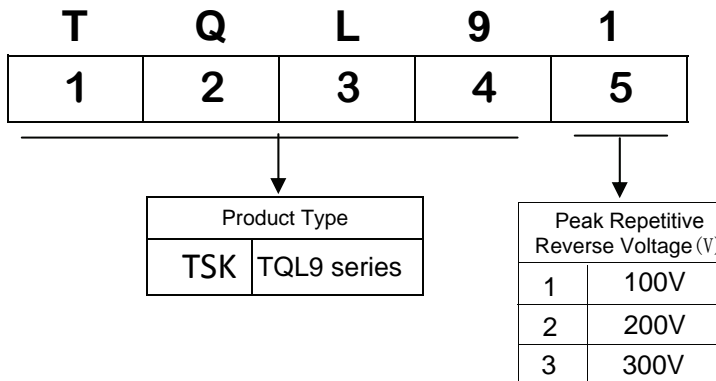
- Surege overload 150 Amperse peak
- Low forward voltage drop
- Mounting Position : Any
- Electrically isolated base -2000 Volts
- Materials used carries U/L recognition

**Dimensions In Inches and (milimeters)**



**QLD**

**Part Number Code**



## MAXIMUM RATINGS AND ELECTRICAL CHARACTERISTICS

Rating at 25°C ambient temperature unless otherwise specified.

Resistive or inductive load 60Hz.

For capacitive load current by 20%

CHARACTERISTICS	SYMBOL	TQL9-1	TQL9-2	TQL9-3	TQL9-4	TQL9-6	TQL9-8	TQL9-10	UNIT
Maximum Recurrent Peak Reverse Voltage	V <sub>RRM</sub>	100	200	300	400	600	800	1000	V
Maximum RMS Voltage	V <sub>RMS</sub>	70	140	210	280	420	560	700	V
Maximum DC Blocking Voltage	V <sub>DC</sub>	100	200	300	400	600	800	1000	V
Maximum Average Forward Rectified Current @T <sub>A</sub> =55 °C	I <sub>(AV)</sub>	5.0							A
Peak Forward Surge Current 8.3ms Single Half Sine-Wave Super Imposed on Rated Load(JEDEC Method)	I <sub>FSM</sub>	150							A
Peak Forward Voltage at 5.0A DC	V <sub>F</sub>	1.2							V
Maximum DC Reverse Current @T <sub>J</sub> =25°C at Rated DC Blocking Voltage @T <sub>J</sub> =100°C	I <sub>R</sub>	10 500							μA
Operating Temperature Range	T <sub>J</sub>	-40 to +130							°C
Storage Temperature Range	T <sub>STG</sub>	-40 to +130							°C

RATING AND CHARACTERISTIC CURVES

FIG. 1 – FORWARD CURRENT DERATING CURVE

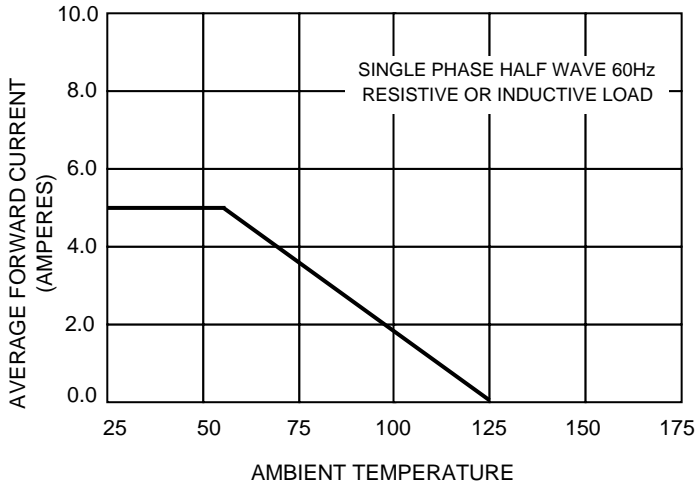


FIG. 2 – MAXIMUM NON-REPETITIVE SURGE CURRENT

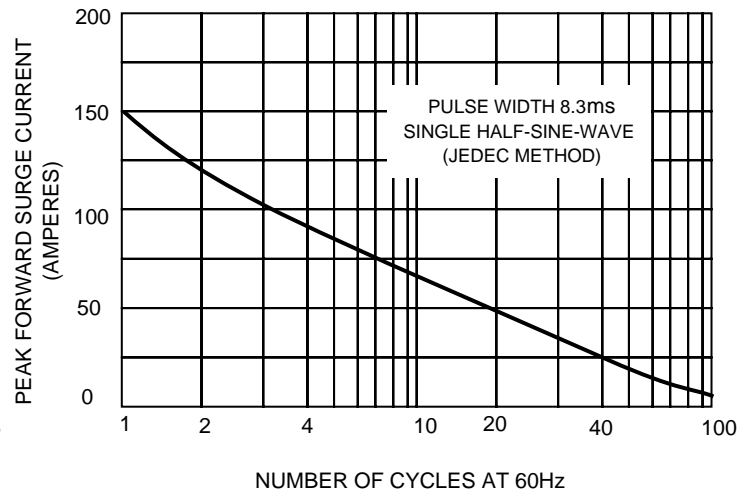


FIG.3-TYPIACL REVERSE CHARACTERISTICS

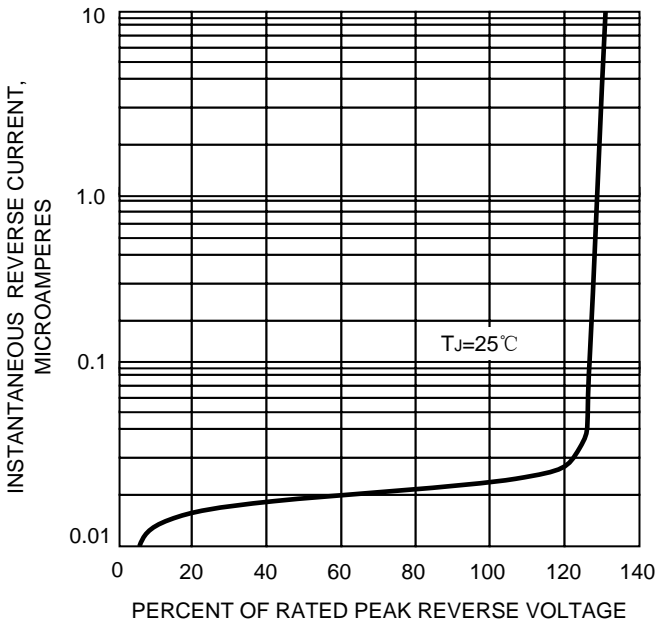
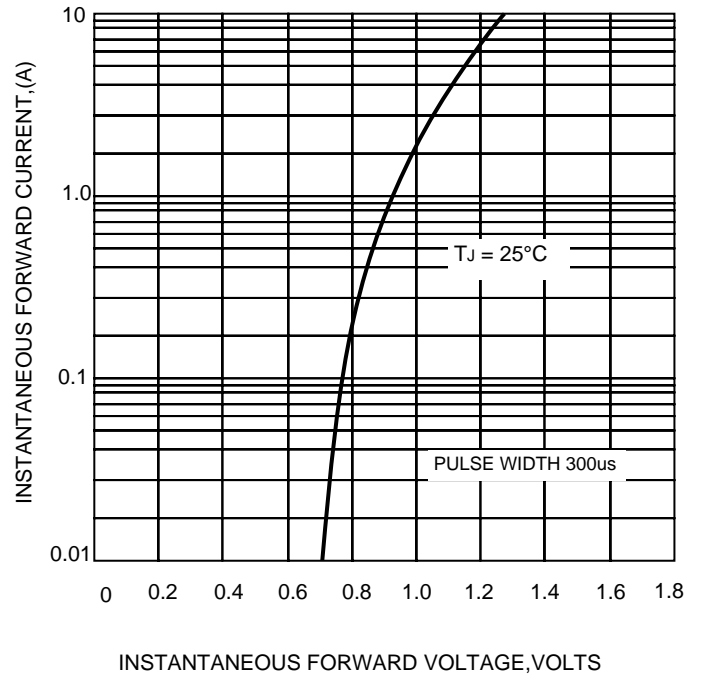


FIG.4-TYPICAL FORWARD CHARACTERISTICS



The cruve graph is for reference only, can't be the basis for judgment(曲线图仅供参考)!