

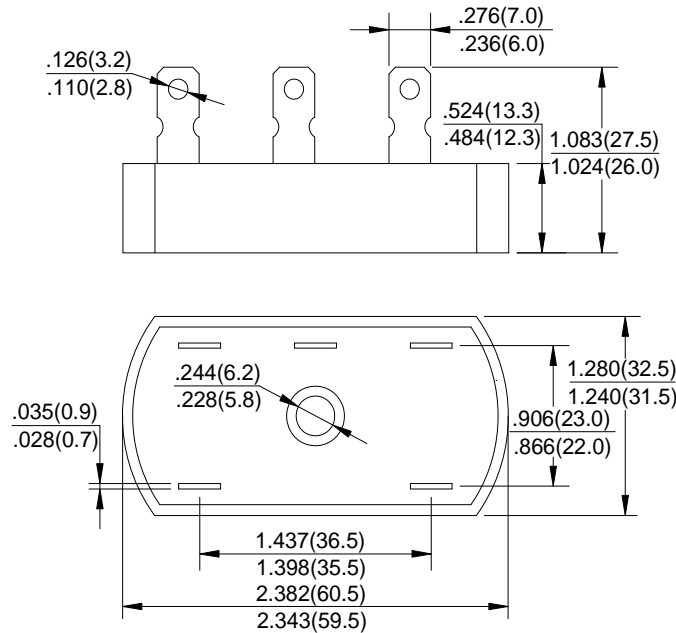
THREE PHASE BRIDGE RECTIFIERS

REVERSE VOLTAGE - **100 to 1000**Volts
 FORWARD CURRENT - **5.0** Amperes

Features

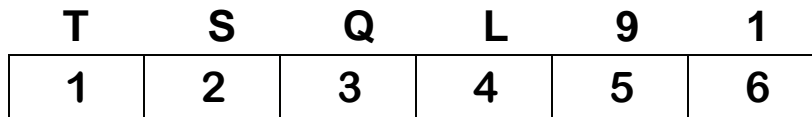
- Surege overload 150 Amperse peak
- Low forward voltage drop
- Mounting Position : Any
- Electrically isolated base -2000 Volts
- Materials used carries U/L recognition

Dimensions In Inches and (milimeters)



SQL

Part Number Code



Product Type	
TSK	TSQL9 series

Peak Repetitive Reverse Voltage (V)	
1	100V
2	200V
3	300V

MAXIMUM RATINGS AND ELECTRICAL CHARACTERISTICS

Rating at 25°C ambient temperature unless otherwise specified.

Resistive or inductive load 60Hz.

For capacitive load, derate current by 20%

CHARACTERISTICS	SYMBOL	TSQL9-1	TSQL9-2	TSQL9-3	TSQL9-4	TSQL9-6	TSQL9-8	TSQL9-10	UNIT
Maximum Recurrent Peak Reverse Voltage	V _{RRM}	100	200	300	400	600	800	1000	V
Maximum RMS Voltage	V _{RMS}	70	140	210	280	420	560	700	V
Maximum DC Blocking Voltage	V _{DC}	100	200	300	400	600	800	1000	V
Maximum Average Forward Rectified Current @T _A =55 °C	I _(AV)	5.0							A
Peak Forward Surge Current 8.3ms Single Half Sine-Wave Super Imposed on Rated Load(JEDEC Method)	I _{FSM}	150							A
Peak Forward Voltage at 5.0A DC	V _F	1.2							V
Maximum DC Reverse Current at Rated DC Blocking Voltage @T _J =25°C @T _J =100°C	I _R	10 500							μA
Operating Temperature Range	T _J	-40 to +130							°C
Storage Temperature Range	T _{STG}	-40 to +130							°C

RATING AND CHARACTERISTIC CURVES

FIG. 1 – FORWARD CURRENT DERATING CURVE

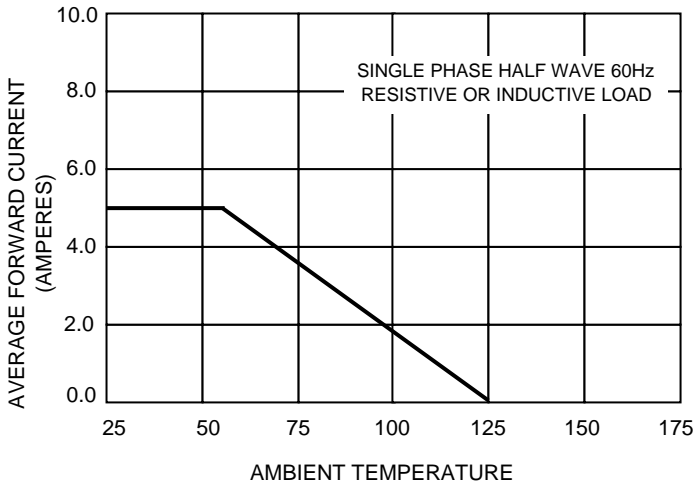


FIG. 2 – MAXIMUM NON-REPETITIVE SURGE CURRENT

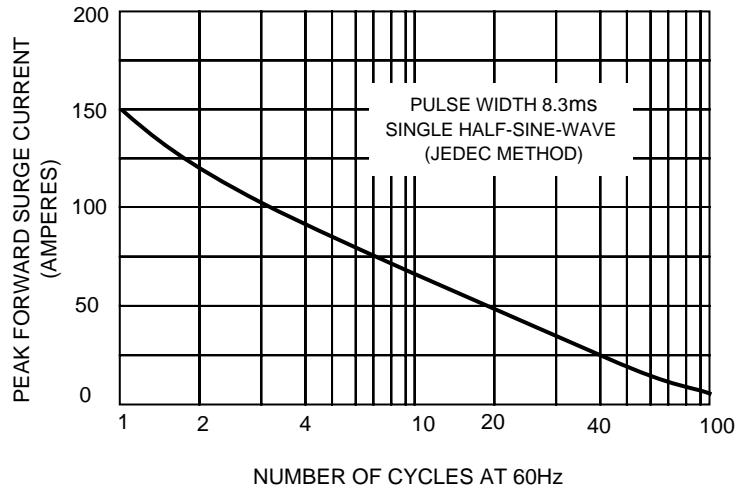


FIG.3-TYPIAACL REVERSE CHARACTERISTICS

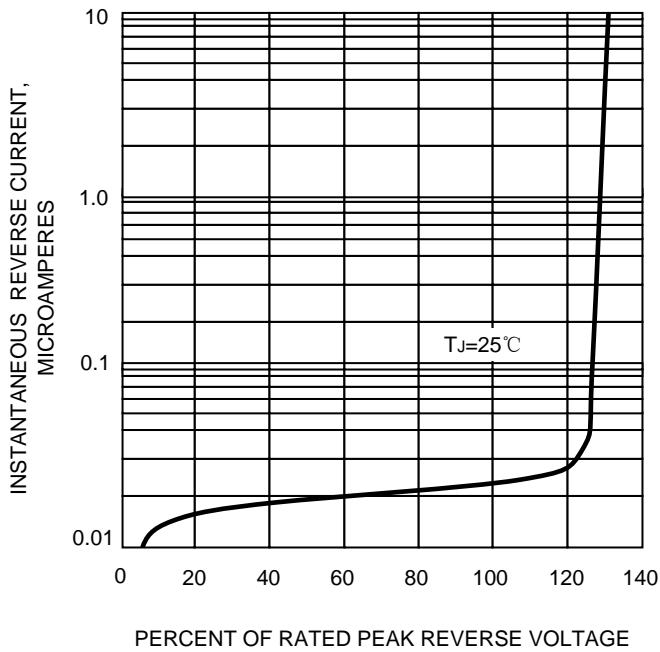
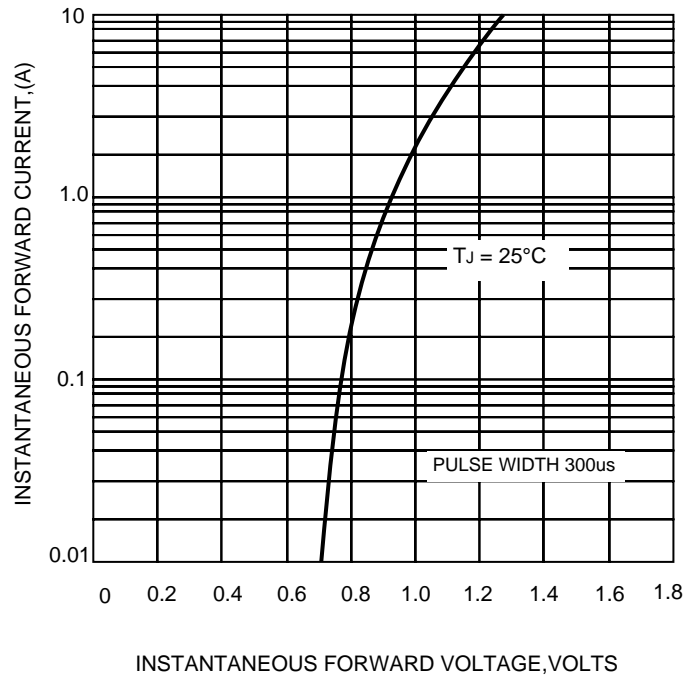


FIG.4-TYPICAL FORWARD CHARACTERISTICS



The cruve graph is for reference only, can't be the basis for judgment(曲线图仅供参考)!