

**Voltage Range 50 to 600 V**  
**Current 16.0 Ampere**

**Features**

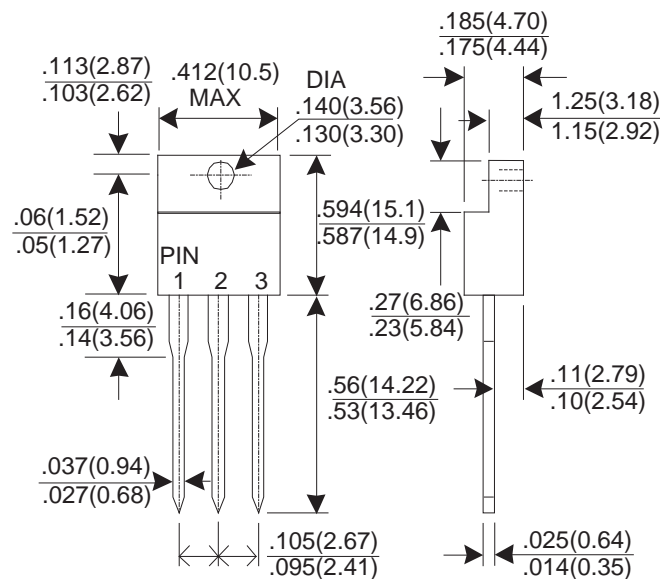
- Fast switching for high efficiency
- Low forward voltage drop
- High current capability
- Low reverse leakage current
- High surge current capability

**Mechanical Data**

- Case: Molded plastic ITO-220AB
- Epoxy: UL 94V-0 rate flame retardant
- Terminals: Solderable per MIL-STD-202 method 208 guaranteed
- Polarity: Color band denotes cathode
- Mounting position: Any
- Weight: 2.24 gram

**Dimensions in inches and (millimeters)**

**ITO-220AB**



Dimensions in inches and (millimeters)

## MAXIMUM RATINGS AND ELECTRICAL CHARACTERISTICS

Rating at 25°C ambient temperature unless otherwise specified.  
 Single phase, half wave, 60Hz, resistive or inductive load.  
 For capacitive load, derate current by 20%.

PARAMTER	SYMBOL	TUF 16C01CF	TUF 16C02CF	TUF 16C03CF	TUF 16C04CF	TUF 16C05CF	UNIT
Maximum Recurrent Peak Reverse Voltage	VRRM	50	100	200	400	600	V
Maximum RMS Voltage	VRMS	35	70	140	280	420	V
Maximum DC Blocking Voltage	VDC	50	100	200	400	600	V
Maximum Average Forward Rectified Current T <sub>C</sub> =100°C	IF(AV)	16.0					A
Peak Forward Surge Current, 8.3ms single Half sine-wave superimposed on rated load (JEDEC method)	IFSM	125					A
Maximum Instantaneous Forward Voltage @ 8.0 A	V <sub>F</sub>	1.0		1.3	1.7	V	
Maximum DC Reverse Current @ T <sub>J</sub> =25°C At Rated DC Blocking Voltage @ T <sub>J</sub> =125°C	I <sub>R</sub>	10.0 250					uA uA
Maximum Reverse Recovery Time (Note 1)	T <sub>rr</sub>	50				75	nS
Typical junction Capacitance (Note 2)	C <sub>J</sub>	65					pF
Typical Thermal Resistance (Note 3)	R <sub>θJA</sub>	15					°CW
Operating Junction and Storage Temperature Range	T <sub>J</sub> , T <sub>STG</sub>	-55 to +150					°C

NOTES : (1) Reverse recovery test conditions I<sub>F</sub> = 0.5A, I<sub>R</sub> = 1.0A, I<sub>rr</sub> = 0.25A.  
 (2) Thermal Resistance junction to case.  
 (3) Measured at 1.0 MHz and applied reverse voltage of 4.0 Volts DC.

RATING AND CHARACTERISTIC CURVES

FIG.1 - FORWARD CURRENT DERATING CURVE

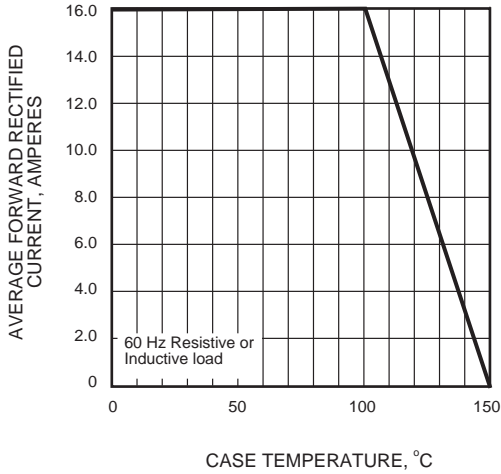


FIG.2 - MAXIMUM NON-REPETITIVE PEAK FORWARD SURGE CURRENT

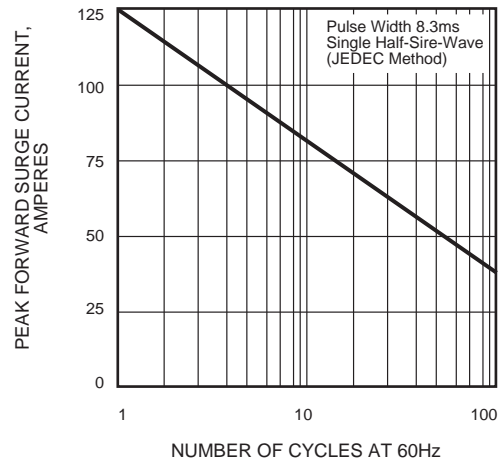


FIG.3 - TYPICAL INSTANTANEOUS FORWARD CHARACTERISTICS

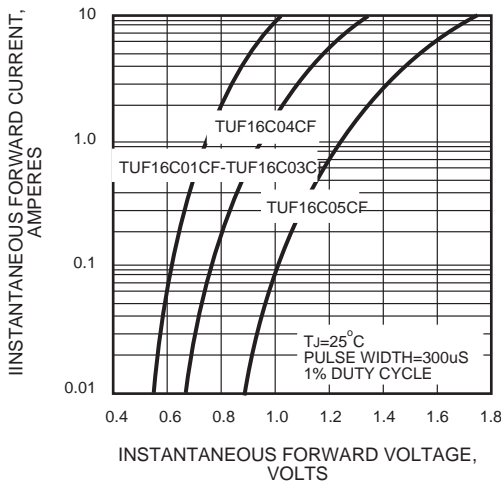


FIG.4 - TYPICAL REVERSE CHARACTERISTICS

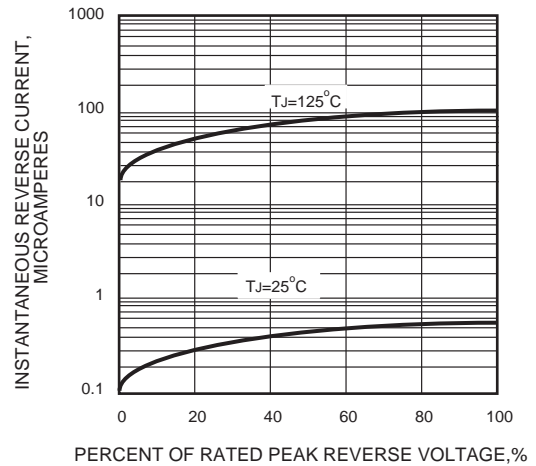


FIG.5 - TYPICAL JUNCTION CAPACITANCE

